



SERVICE MANUAL

Low Band HANDHELD TRANSCEIVER

IC-F30GT-L

IC-F30GS-L

IC-F31GT-L

IC-F31GS-L

INTRODUCTION

This service manual describes the latest service information for the IC-F30GT-L/GS-L and IC-F31GT-L/GS-L Low Band HANDHELD TRANSCEIVER at the time of publication.

To upgrade quality, all electrical or mechanical parts and internal circuits are subject to change without notice or obligation.

DANGER

NEVER connect the transceiver to an AC outlet or to a DC power supply that uses more than 10 V. This will ruin the transceiver.

DO NOT expose the transceiver to rain, snow or any liquids.

DO NOT reverse the polarities of the power supply when connecting the transceiver.

DO NOT apply an RF signal of more than 20 dBm (100 mW) to the antenna connector. This could damage the transceiver's front end.

ORDERING PARTS

Be sure to include the following four points when ordering replacement parts:

1. 10-digit order numbers
2. Component part number and name
3. Equipment model name and unit name
4. Quantity required

<SAMPLE ORDER>

1110001810	S.IC TA7368F	IC-F30GT-L	MAIN UNIT	1 piece
8930053170	2337 4-Key	IC-F31GS-L	CHASSIS	5 pieces

Addresses are provided on the inside back cover for your convenience.



REPAIR NOTES

1. Make sure a problem is internal before disassembling the transceiver.
2. **DO NOT** open the transceiver until the transceiver is disconnected from its power source.
3. **DO NOT** force any of the variable components. Turn them slowly and smoothly.
4. **DO NOT** short any circuits or electronic parts. An insulated tuning tool **MUST** be used for all adjustments.
5. **DO NOT** keep power ON for a long time when the transceiver is defective.
6. **DO NOT** transmit power into a signal generator or a sweep generator.
7. **ALWAYS** connect a 40 dB or 50 dB attenuator between the transceiver and a deviation meter or spectrum analyser when using such test equipment.
8. **READ** the instructions of test equipment thoroughly before connecting equipment to the transceiver.

EXPLICIT DEFINITIONS

FREQUENCY COVERAGE

*L1-band	(50–66 MHz)
L-band	66–88 MHz

CHANNEL SPACING

Wide/Narrow-type	25 kHz/12.5 kHz
------------------	-----------------

*L1-band is not described in this service manual.

TABLE OF CONTENTS

SECTION 1	SPECIFICATIONS	
SECTION 2	INSIDE VIEWS	
SECTION 3	DISASSEMBLY INSTRUCTIONS	
SECTION 4	CIRCUIT DESCRIPTION	
4 - 1	RECEIVER CIRCUITS	4 - 1
4 - 2	TRANSMITTER CIRCUITS	4 - 2
4 - 3	PLL CIRCUITS.....	4 - 3
4 - 4	POWER SUPPLY CIRCUITS	4 - 4
4 - 5	CPU PORT ALLOCATIONS	4 - 4
SECTION 5	ADJUSTMENT PROCEDURES	
5 - 1	PREPARATION.....	5 - 1
5 - 2	PLL ADJUSTMENT.....	5 - 4
5 - 3	SOFTWARE ADJUSTMENT	5 - 5
SECTION 6	PARTS LIST	
SECTION 7	MECHANICAL PARTS AND DISASSEMBLY	
SECTION 8	SEMI-CONDUCTOR INFORMATION	
SECTION 9	BOARD LAYOUTS	
9 - 1	FRONT UNIT	9 - 1
9 - 2	MAIN UNIT.....	9 - 2
SECTION 10	BLOCK DIAGRAM	
SECTION 11	VOLTAGE DIAGRAM	

SECTION 1 SPECIFICATIONS

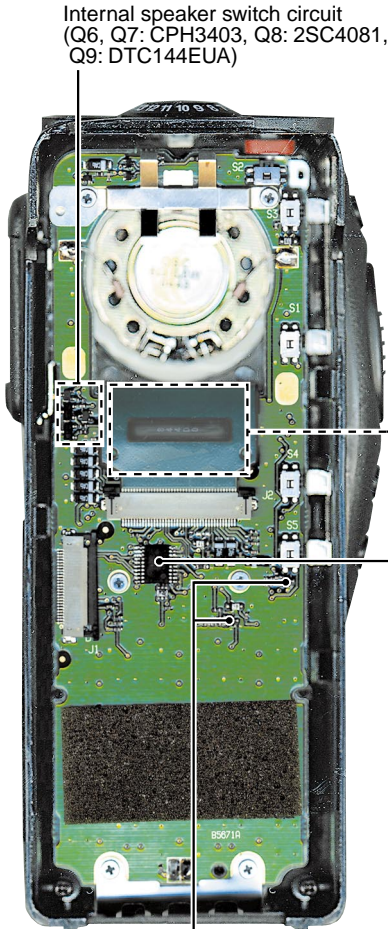
		GEN	EUR
GENERAL	Measurement method	EIA-152-C/204D	TIA-603 or ETS 300 086 (GEN)
	Frequency coverage	66.000–88.000 MHz	
	Type of emission	W/N: 16K0F3E [25 kHz; Wide]/8K50F3E [12.5 kHz; Narrow]	
	Number of conventional channels	Max. 256 ch (16 channels × 16 banks)	
	Power supply requirement	7.2 V DC (negative ground; supplied battery pack)	
	Current drain (approx.)	TX at High 2.0 A Rx rated audio 300 mA stand-by 90 mA (typical)	
	Frequency error	10 ppm	±1.0 kHz
	Usable temperature range	–30°C to +60°C (–22°F to +140°F)	–25°C to +55°C (–13°F to +131°F)
	Dimensions (proj. not included)	54(W) × 139(H) × 38(D) mm; 2 ¹ / ₈ (W) × 5 ¹ / ₂ (H) × 1 ¹ / ₂ (D) inch	
	Weight (with BP-210)	420 g; 14.8 oz	
TRANSMITTER	RF output power	5 W / 2 W / 1 W (High/Low2/Low1)	
	Modulation system	Variable reactance frequency modulation	
	Maximum permissible deviation	±5.0 kHz [Wide], ±2.5 kHz [Narrow]	
	Spurious emissions	73 dB typical	0.25 μW
	Adjacent channel power	70 dB [Wide], 60 dB [Narrow]	
	Audio frequency response	+2 dB to –8 dB of 6 dB/octarve range from 300 Hz to 3000 Hz [Wide]/2550 Hz [Narrow]	
	Audio harmonic distortion	3% typical at 1 kHz, 40% deviation	
	FM hum and noise (typical)	50 dB [Wide], 46 dB [Narrow]	—
	Residual modulation (with CCITT filter) (typical)	—	50 dB [Wide], 50 dB [Narrow]
	Limitting charact of modulator	60–100% of max. deviation	
	Ext. microphone connector	9-pin multi connector/2.2 kΩ	
RECEIVER	Receive system	Double-conversion superheterodyne system	
	Intermediate frequencies	1st: 38.85 MHz, 2nd: 450 kHz	
	Sensitivity (typical)	0.25 μV at 12 dB SINAD	–4 dBμV (emf) at 20 dB SINAD
	Squelch sencitivity (at threshold) (typical)	0.25 μV	–4 dBμV (emf)
	Adjcent channel selectivity (typical)	80 dB [Wide], 70 dB [Narrow]	
	Spurious response	70 dB	
	Intermoduration (typical)	74 dB	70 dB
	FM hum and noise (typical)	54 dB [Wide], 48 dB [Narrow]	—
	Hum and noise (with CCITT filter) (typical)	—	55 dB [Wide], 50 dB [Narrow]
	Audio output power (at 7.2 V DC)	500 mW typical at 5% distortion with a 8 Ω load 600 mW typical at 5% distortion with a 6 Ω load	
External SP connector	9-pin multi connector/8 Ω		

All stated specifications are subject to change without notice or obligation.

SECTION 2 INSIDE VIEWS

• FRONT UNIT

Bottom view



Internal speaker switch circuit
(Q6, Q7: CPH3403, Q8: 2SC4081,
Q9: DTC144EUA)

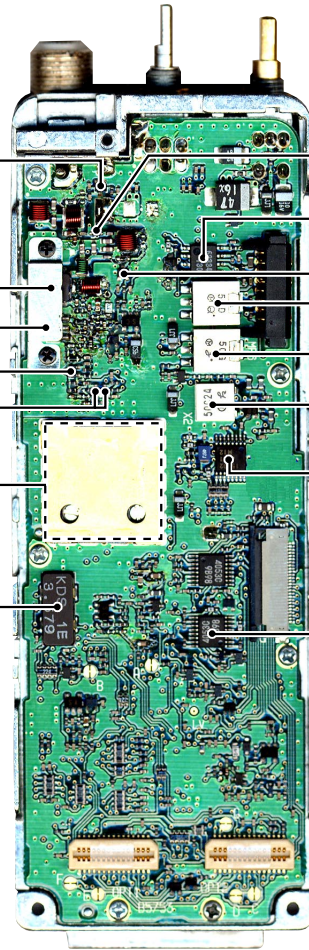
LCD module
(DS10: EDMMU1FA0)

Expander IC
(IC1: TC74VHC373FT)

KEY LED switch
(Q1, Q2: 2SC4116)

• MAIN UNIT

Top view



Power detector
(D2: RB706F-40)

Power amplifier
(Q1: 2SK2974)

Pre-drive amplifier
(Q2: 2SK2973)

YGR amplifier
(Q5: 2SC4226)

TX/RX switch
(D4, D5: MA2S077)

TX/RX VCO circuit

3.58 MHz crystal
(X4: CR-563
3.579545 MHz)

Antenna switching
(D1: MA2S077)

D/A converter
(IC27: M62334)

APC amplifier
(IC4: TC75S51F)

2nd IF filter
(F12, F13: SFPC450 450 kHz)

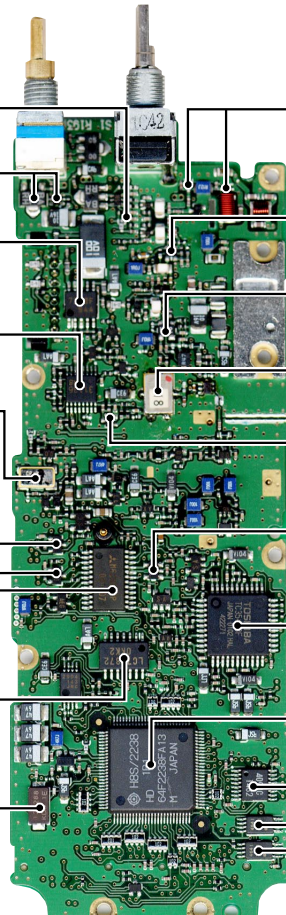
Discreminator
(X2: CDBC450CX24 450 kHz)

PLL IC
(IC1: MAB15A02PFV1)

PTT/MD1 switch and
INT/EXT microphone switch
(IC19: BU4053BCF)

• MAIN UNIT

Bottom view



S5 regulator
(Q31: 2SA1362)

+5 regulator
(Q32: 2SB1132
Q33: XP6501)

AF amplifier
(IC5: TA7368F)

FM IF IC
(IC3: TA31136FN)

Reference oscillator
(X1: CR-701 19.2 MHz)

T5 regulator
(Q29: 2SA1362)

R5 regulator
(Q30: 2SA1362)

D/A converter
(IC13: M62364FP)

DTMF decoder
(IC17: LC73872M)

Crystal oscillator
for CPU clock
(X3: CR-681 12.288 MHz)

Antenna switching
(D24, D25: 1SV308)

RF amplifier
(Q20: 3SK293)

1st mixer
(Q19: 3SK177)

1st IF filter
(F11: FL-328 38.85 MHz)

1st IF amplifier
(Q18: 2SC4215)

Splatter filter
(IC8: TC75S51F)

Microphone amplifier/mute
/compander
(IC9: TC35453F)

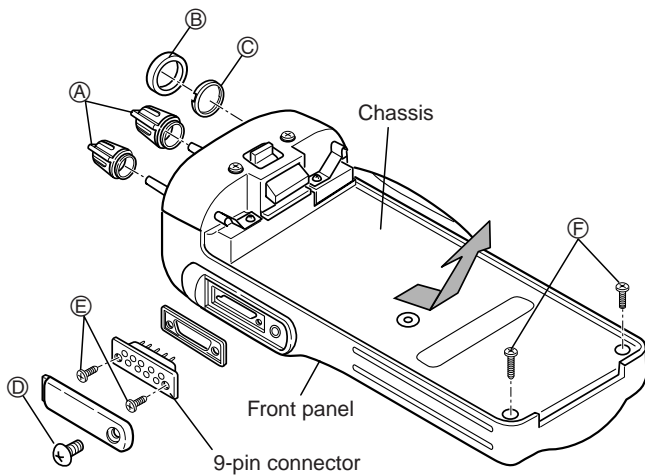
CPU
(IC14: HD64F2238FA13)

Expander IC
(IC23: BU4094BCFV)

EEPROM
(IC16, IC24: HN58X2464T1)

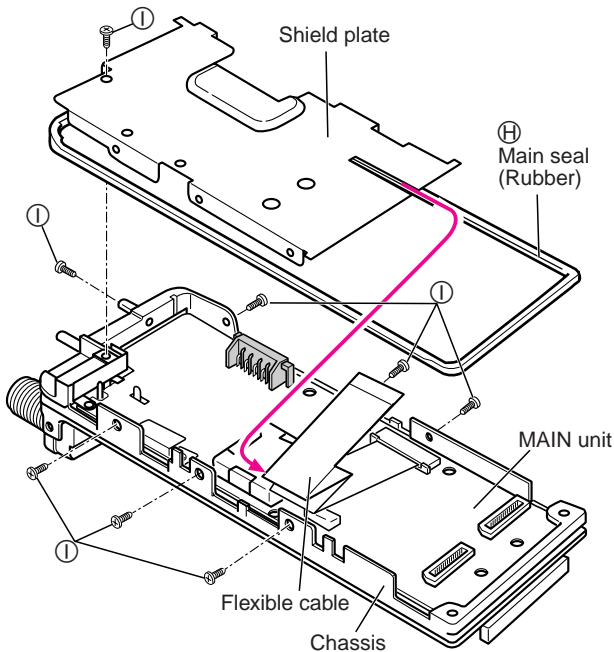
SECTION 3 DISASSEMBLY INSTRUCTIONS

1. Removing the chassis panel



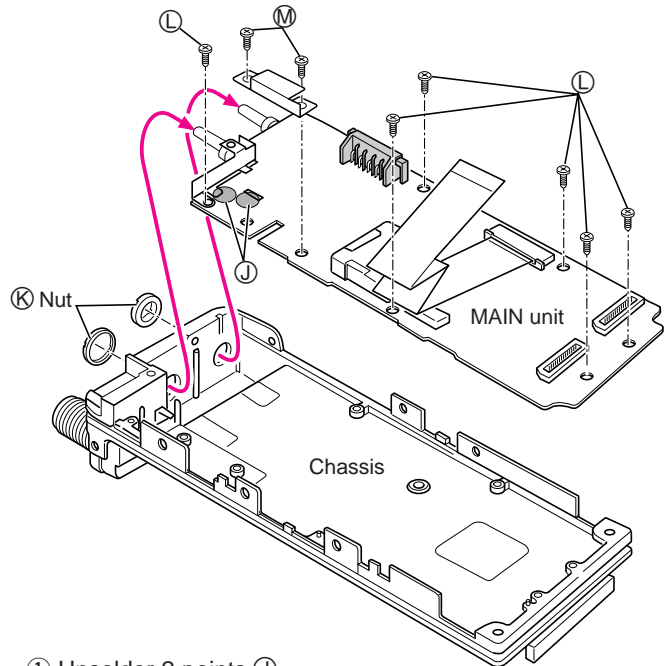
- ① Remove 2 knobs (A), and take off the sealing washer (B).
- ② Unscrew 1 nut (C).
- ③ Unscrew 1 screw (D) (ICOM screw), and 2 screws (E) (2 × 4 mm, black) from the 9-pin connector.
- ④ Unscrew 2 screws (F) (2 × 8 mm, silver) from the chassis.
- ⑤ Take off the chassis in the direction of the arrow.

2. Removing the shield plate



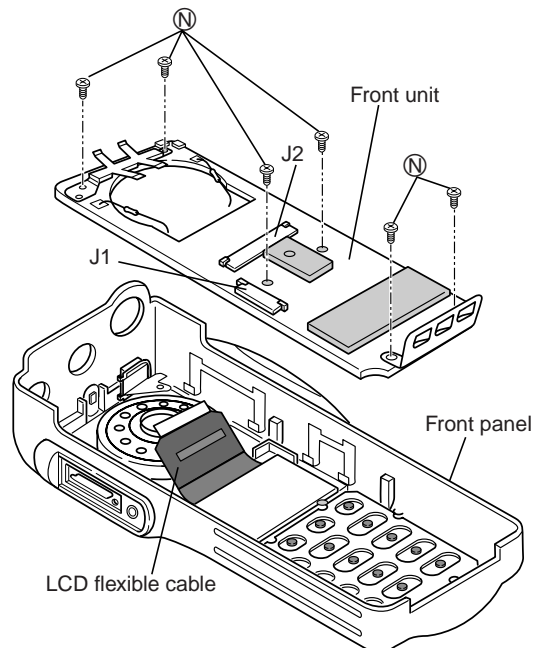
- ① Remove the main seal (H).
- ② Unplug the flexible cable from J1 on the FRONT unit to separate the chassis.
- ③ Unscrew 8 screws (I) (2 × 3 mm, black) to separate the shield plate.
- ④ Take off the flexible cable in the direction of the arrow.

3. Removing the MAIN unit



- ① Unsolder 2 points (J).
- ② Unscrew 2 nuts (K).
- ③ Unscrew 6 screws (L) (2 × 4 mm, silver), and 2 screws (M) (2 × 4 mm, black) from the MAIN unit.
- ④ Take off the MAIN unit in the direction of the arrow.

4. Removing the FRONT unit



- ① Unplug the LCD flexible cable from J2 on the FRONT unit to separate the front panel.
- ② Unscrew 6 screws (N) (2 × 3.5 mm, silver) from the FRONT unit.
- ③ Unsolder the leads of speaker.

SECTION 4 CIRCUIT DESCRIPTION

4-1 RECEIVER CIRCUITS

4-1-1 ANTENNA SWITCHING CIRCUIT

The antenna switching circuit functions as a low-pass filter while receiving and a resonator circuit while transmitting. The circuit does not allow transmit signals to enter the receiver circuits.

Received signals enter the antenna connector (CHASSIS; MP44) and pass through the low-pass filter (L1–L3, C1–C3, C420, C425–C427). The filtered signals are passed through the $\lambda/4$ type antenna switching circuit (D25, D24, L39) and then applied to the RF circuit.

4-1-2 RF CIRCUIT

The RF circuit amplifies signals within the range of frequency coverage and filters out-of-band signals.

The signals from the antenna switching circuit pass through the two-stage tunable bandpass filters (D21, D20, L37, L36). The filtered signals are amplified at the RF amplifier (Q20) and then passed through the another two-stage tunable bandpass filters (D19, D18, L34, L33) to suppress unwanted signals. The filtered signals are applied to the 1st mixer circuit.

D18–D21 employ varactor diodes, that are controlled by the CPU via the D/A converter (IC27), to track the bandpass filter. These varactor diodes tune the center frequency of an RF pass band for wide bandwidth receiving and good image response rejection.

4-1-3 1ST MIXER AND 1ST IF CIRCUITS

The 1st mixer circuit converts the received signal into fixed frequency of the 1st IF signal with the PLL output frequency. By changing the PLL frequency, only the desired frequency passes through a cristal filter at the next stage of the 1st mixer.

The RF signals from the tunable bandpass filter are mixed with the 1st LO signals, where come from the RX VCO circuit via the attenuator (R106–R108) and impedance matching circuit (L32, L53, C369), at the 1st mixer circuit (Q19) to produce a 38.85 MHz 1st IF signal. The 1st IF signal is passed through a cristal filter (F11) in order to obtain selection capability and to pass only the desired signals. The filtered signal is applied to the 2nd IF circuit after being amplified at the 1st IF amplifier (Q18).

4-1-4 2ND IF AND DEMODULATOR CIRCUITS

The 2nd mixer circuit converts the 1st IF signal into a 2nd IF signal. The double-conversion superheterodyne system (which convert receive signals twice) improves the image rejection ratio and obtains stable receiver gain.

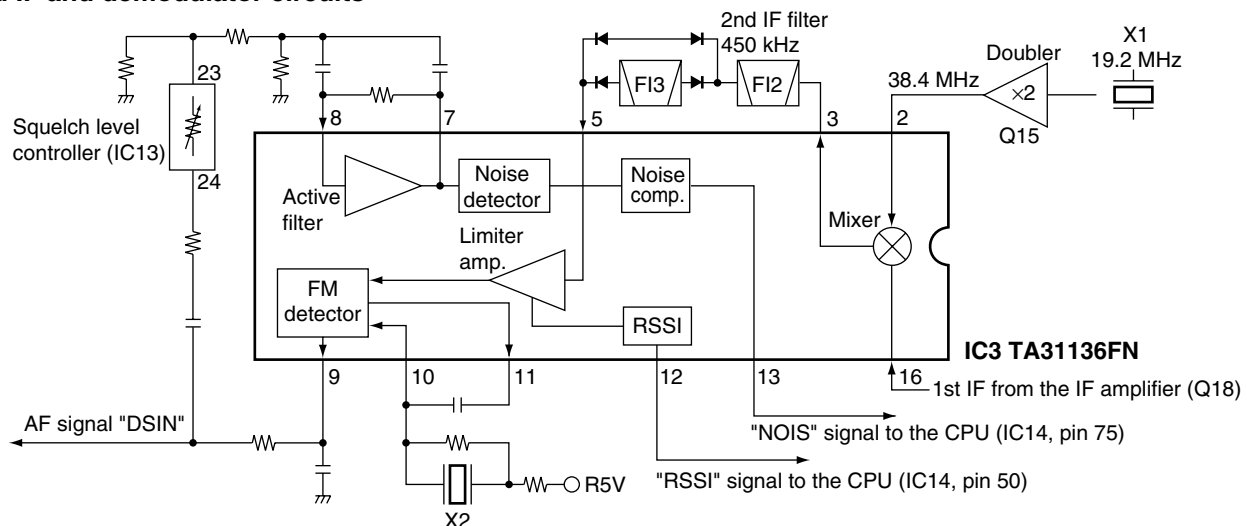
The 1st IF signal from the 1st IF amplifier (Q18) is applied to the 2nd mixer section of the FM IF IC (IC3, pin 16), and is mixed with the 2nd LO signal to be converted into a 450 kHz 2nd IF signal.

The FM IF IC (IC3) contains the 2nd mixer, 2nd local oscillator, limiter amplifier, quadrature detector, active filter and noise amplifier circuits. A 2nd LO signal (38.4 MHz) is produced at the PLL circuit by doubling it's reference frequency (19.2 MHz).

The 2nd IF signal from the 2nd mixer (IC3, pin 3) passes through the ceramic filters (F12, F13) during narrow channel spacing selection or F12 only (bypassing F13) during wide channel spacing selection to remove unwanted heterodyned frequencies. It is then amplified at the limiter amplifier section (IC3, pin 5) and applied to the quadrature detector section (IC3, pins 10, 11) to demodulate the 2nd IF signal into AF signals.

The demodulated AF signals are output from pin 9 (IC3) and applied to the AF circuit via the receiver mute circuit.

• 2nd IF and demodulator circuits



4-1-5 AF AMPLIFIER CIRCUIT

The AF amplifier circuit amplifies the demodulated AF signals to drive a speaker.

The AF signals from the FM IF IC (IC3, pin 9) are amplified at the AF amplifier section of the compander IC (IC9, pins 5, 4) and are then applied to the high-pass filter circuit (IC10).

The high-pass filter characteristics are controlled by the FSW signal from the I/O expander IC (IC23, pin 14). When FSW signal is high, the cut-off frequency is shifted higher to remove CTCSS or DTCS signals.

The filtered AF signals from the high-pass filter (IC10, pin 4) are applied to the de-emphasis section of compander IC (IC9, pin 3) with frequency characteristics of -6 dB/octave, and are then passed through the low-pass filter, high-pass filter, expander sections of compander IC (IC9). The output signal from IC9 (pin 38) is applied to the electronic volume controller (IC13, pin 1).

The output AF signals from the electronic volume controller (IC13, pin 2) are applied to the AF power amplifier (IC5) to drive the speaker.

4-1-6 RECEIVE MUTE CIRCUITS

• NOISE SQUELCH

A squelch circuit cuts out AF signals when no RF signals are received. By detecting noise components in the AF signals, the squelch circuit switches the AF mute switch.

Some noise components in the AF signals from the FM IF IC (IC3, pin 9) are passed through the level controller (IC13, pins 24, 23). The level controlled signals are applied to the active filter section in the FM IF IC (IC3, pin 8). Noise components about 10 kHz are amplified and output from pin 7.

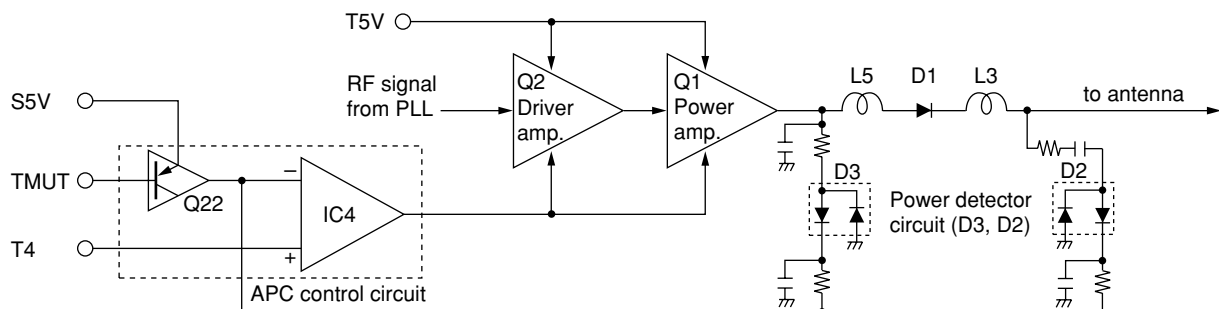
The filtered signals are converted into the pulse-type signals at the noise detector section and output from pin 12 (NOIS).

The NOIS signal from the FM IF IC is applied to the CPU (IC14, pin 75). Then the CPU analyzes the noise condition and controls the AF mute signal via "AFMT" line (IC23, pin 13) to the AF regulator (Q23, Q24).

• CTCSS AND DTCS

The tone squelch circuit detects AF signals and opens the squelch only when receiving a signal containing a matching subaudible tone (CTCSS or DTCS). When tone squelch is in use, and a signal with a mismatched or no subaudible tone is received, the tone squelch circuit mutes the AF signals even when noise squelch is open.

• APC circuit



A portion of the AF signals from the FM IF IC (IC3, pin 9) passes through the low-pass filter (IC20b/a) to remove AF (voice) signals and is applied to the CTCSS or DTCS decoder inside of the CPU (IC14, pin 46) via the "RXDT" line to control the AF mute switch via the I/O expander IC (IC23).

4-2 TRANSMITTER CIRCUITS

4-2-1 MICROPHONE AMPLIFIER CIRCUIT

The microphone amplifier circuit amplifies audio signals within $+6$ dB/octave pre-emphasis characteristics from the microphone to a level needed for the modulation circuit.

The AF signals (MIC+) from the FRONT unit via J3 (pin 22) are passed through the internal/external microphone switch (IC19, pins 12, 14) and level controller (IC13, pins 9, 10) to the microphone amplifier circuit.

The AF signals from the level controller (IC13) are applied to the microphone amplifier section of compander IC (IC9, pin 12). The amplified signals are passed through the compressor, low-pass filter and high-pass filter sections of IC9.

The filtered AF signals are amplified at the buffer amplifier (Q47) and pre-emphasized with $+6$ dB/octave at the pre-emphasis circuit (R166, C203), and are then applied to the IDC amplifier section of IC9 (pin 8).

The amplified AF signals are passed through the limiter amplifier and low-pass filter sections of IC9 after being passed through the AF mute switch inside of IC9.

The output signals from pin 6 are passed through the splatter filter (IC8) and level controller (IC13, pins 21, 22), and are then applied to the modulation circuit (D7).

4-2-2 MODULATION CIRCUIT

The modulation circuit modulates the VCO oscillating signal (RF signal) using the microphone audio signals.

The AF signals from the level controller (IC13) change the reactance of varactor diode (D7) to modulate the oscillated signal at the TX VCO circuit (Q12, D8, D12, D45, D46). The modulated VCO signal is amplified at the buffer amplifiers (Q8, Q6) and is then applied to the drive amplifier circuit via the T/R switch (D4).

The CTCSS/DTCS signals from the CPU (IC14, pin 44) are passed through the low-pass filter (IC21), level controller (IC13, pins 12, 11) and mixer circuit (IC7), and are then applied to the VCO circuit via the splatter filter (IC8).

4-2-3 DRIVE/POWER AMPLIFIER CIRCUITS

The drive/power amplifier circuits amplify the VCO oscillating signal to an output power level.

The signal from the VCO circuit passes through the T/R switch (D4), and is amplified at the YGR (Q5), drive (Q2), power (Q1) amplifiers to obtain 5 W of RF power (at 7.5 V DC).

The amplified signal is passed through the APC detector, antenna switching circuit (D1) and low-pass filter, and is then applied to the antenna connector.

The bias current of the drive (Q2) and power (Q1) amplifiers is controlled by the APC circuit.

4-2-4 APC CIRCUIT

The APC circuit (IC4, Q22) protects the drive and power amplifiers from excessive current drive, and selects output power of HIGH, LOW2 or LOW1.

The power detector circuit (D3, D2) detects the transmit power output level and converts it into DC voltage. The output voltage is at a minimum level when the antenna impedance is matched at 50 Ω and is increased when it is mismatched.

The detected voltage is applied to the differential amplifier (IC4, pin 3), and the "T4" signal from the D/A converter (IC27, pin 4), controlled by the CPU (IC14), is applied to the other input for reference. When antenna impedance is mismatched, the detected voltage exceeds the power setting voltage. Then the output voltage of the differential amplifier (IC4, pin 4) controls the input current of the drive amplifier (Q2) and power amplifier (Q1) to reduce the output power.

4-3 PLL CIRCUITS

4-3-1 PLL CIRCUIT

A PLL circuit provides stable oscillation of the transmit frequency and receive 1st LO frequency. The PLL output compares the phase of the divided VCO frequency with the reference frequency. The PLL output frequency is controlled by the divided ratio (N-data) of a programmable divider.

The PLL circuit contains the TX/RX VCO circuit (Q12, Q11). The oscillated signal is amplified at the buffer amplifiers (Q8, Q7) and then applied to the PLL IC (IC1, pin 8).

The PLL IC contains a prescaler, programmable counter, programmable divider and phase detector, etc. The entered signal is divided at the prescaler and programmable counter section by the N-data ratio from the CPU. The divided signal is detected on phase at the phase detector using the reference frequency.

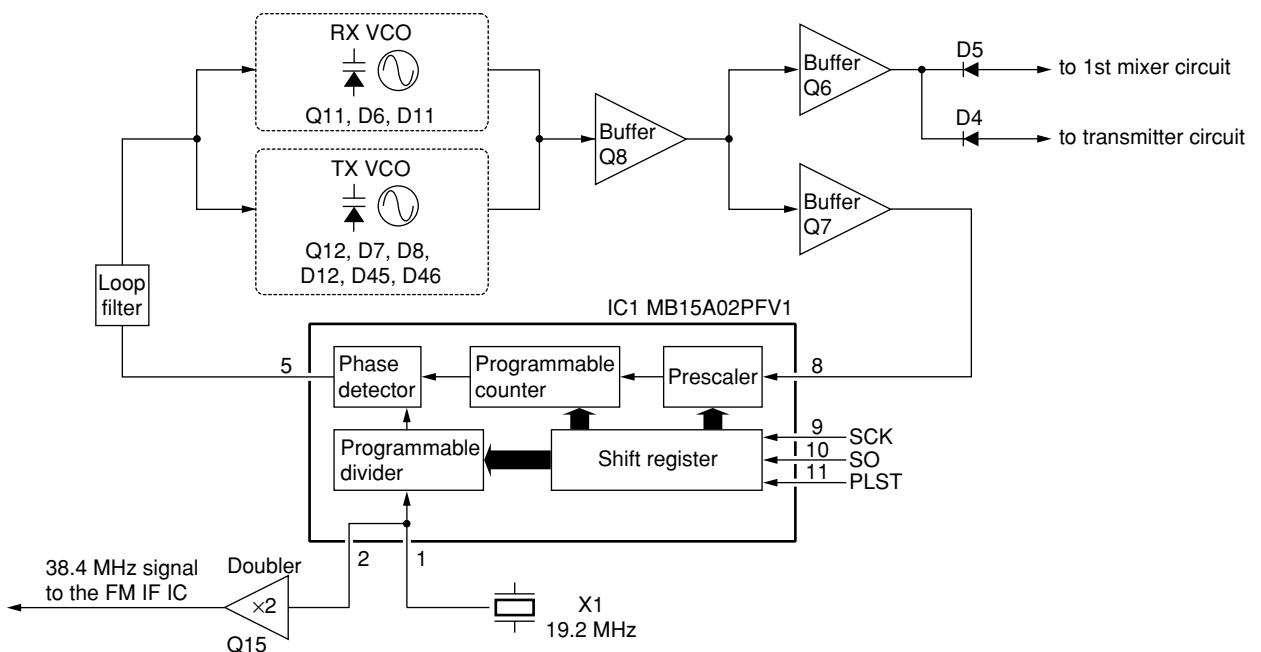
If the oscillated signal drifts, its phase changes from that of the reference frequency, causing a lock voltage change to compensate for the drift in the oscillated frequency.

4-3-2 VCO CIRCUIT

The VCO circuit contains a separate RX VCO (Q11, D6, D11) and TX VCO (Q12, D7, D8, D12, D45, D46). The oscillated signal is amplified at the buffer amplifiers (Q8, Q6) and is then applied to the T/R switch (D5, D4). Then the receive 1st LO (Rx) signal is applied to the 1st mixer (Q19) and the transmit (Tx) signal to the YGR amplifier circuit (Q5).

A portion of the signal from the buffer amplifier (Q8) is fed back to the PLL IC (IC1, pin 8) via the buffer amplifier (Q7) as the comparison signal.

• PLL circuit



4-4 POWER SUPPLY CIRCUITS VOLTAGE LINE

LINE	DESCRIPTION
HV	The voltage from the attached battery pack.
VCC	The same voltage as the HV line (battery voltage) which is controlled by the power switch ([VOL] control).
CPU5V	Common 5 V converted from the VCC line by the reference regulator circuit (IC12). The output voltage is applied to the CPU (IC14), 5 V regulator circuit (Q32, Q33), reset circuit (IC15) and etc.
+5V	Common 5 V converted from the VCC line by the +5V regulator circuit (Q32, Q33).
S5V	Common 5 V converted from the +5V line by the S5 regulator circuit (Q31).
T5V	5 V for transmitter circuits regulated by the T5 regulator circuit (Q29).
R5V	5 V for receiver circuits regulated by the R5 regulator circuit (Q30).

4-5 PORT ALLOCATIONS

4-5-1 CPU (IC14)

Pin number	Port name	Description
4	RESB	Outputs reset signal for the I/O expander IC (IC23).
5	RMUT	Input port for AF mute signal from the optional units via J1 or J2.
6	MMUT	Input port for MIC mute signal from the optional units via J1 or J2.
7	PTOT	Input port for the [PTT] switch Low : While [PTT] switch is pushed.
13	EXST	Outputs strobe signals to the I/O expander IC (IC23).
15	APST	Outputs strobe signals to the compander IC (IC9).
16	DIN	Outputs serial data signals to the compander IC (IC9).
17, 18, 19	RGS1, RGS2, MSKE	Output control signal for the compander IC (IC9).
21	FCLR	Outputs reset signal for the compander IC (IC9).
22–25	CB10–CB13	Input ports for rotary selector [SEL].
26	VCOS	Outputs TX VCO/RX VCO switching signal for the VCO switch (Q9, Q10). High : While transmitting
28	PLST	Outputs strobe signals to the PLL IC (IC1).
29	ULCK	Input port for the PLL unlock signal. Low : PLL is unlocked.
34	SCK	Outputs clock signal for the PLL IC (IC1), compander IC (IC9), I/O expander IC (IC23), D/A converter (IC13), etc.

Pin number	Port name	Description
35	SO	Outputs data signals for the PLL IC (IC1), I/O expander IC (IC23), D/A converter (IC13), etc.
36	DAST	Outputs strobe signals to the D/A converter (IC13).
39	DTAC	Output clock signal to the DTMF decoder (IC17).
43	SENC	Outputs single tone signal.
44	CTDA	Outputs CTCSS/DTCS tone signal.
45	SDEC	Single tone signal input port for decoding.
46	RXDT	CTCSS/DTCS signals input port for decoding.
47	AFVI	Input port for the volume control [VOL]. High : [VOL] is maximum clockwise.
49	LVIN	Input port for the PLL lock voltage.
50	RSSI	Input port for the RSSI detection.
59	RES	Input port for the reset signal.
68	DTSD	Outputs serial data signals to the DTMF decoder IC (IC17).
70	TMUT	Outputs transmit mute signal. Low : During unlock or while muted
71	R5C	Outputs R5 regulator control signal. Low: While receiving
73	T5C	Outputs T5 regulator control signal. Low: While transmitting
75	NOIS	Input port for noise signals (pulse-type) for noise squelch operation.
81	SDA	I/O port for data signals from/to the D/A converter (IC27).
82	MSO	I/O port for data signals from/to EEPROMs (IC16, IC24).
87	BEEP	Outputs beep audio signals.
94	MSCK	Outputs clock signal to EEPROMs (IC16, IC24).
95	SCL	Outputs clock signal to the D/A converter (IC27).

4-5-2 I/O EXPANDER (IC23)

Pin number	Port name	Description
4	BUSY	Outputs BUSY detection. Low : The channel is busy.
6	DUSE	Outputs low-pass filter cut-off frequency control signal when DTCS is activated.
7	W/N	Outputs IF bandwidth control signal. High : While IF bandwidth is narrow.
11	S5C	Outputs S5 regulator control signal.
12	SPCN	Outputs internal speaker select signal.
13	AFMT	Outputs control signal for the AF amplifier regulator circuit. High: While AF amp. is activated.
14	FSW	Outputs high-pass filter's characteristics select signal.

SECTION 5 ADJUSTMENT PROCEDURES

5-1 PREPARATION

When you adjust the contents on pages 5-5 to 5-6, SOFTWARE ADJUSTMENT, the optional CS-F30G ADJ ADJUSTMENT SOFTWARE (Rev. 1.1 or later), *OPC-966 JIG CABLE (modified OPC-966 CLONING CABLE) are required.

■ REQUIRED TEST EQUIPMENT

EQUIPMENT	GRADE AND RANGE	EQUIPMENT	GRADE AND RANGE
DC power supply	Output voltage : 7.5 V DC Current capacity : 5 A or more	Audio generator	Frequency range : 300–3000 Hz Output level : 1–500 mV
FM deviation meter	Frequency range : DC–100 MHz Measuring range : 0 to ±10 kHz	Attenuator	Power attenuation : 40 or 50 dB Capacity : 10 W or more
Frequency counter	Frequency range : 0.1–100 MHz Frequency accuracy : ±1 ppm or better Sensitivity : 100 mV or better	Standard signal generator (SSG)	Frequency range : 30–100 MHz Output level : 0.1 μV–32 mV (–127 to –17 dBm)
Digital multimeter	Input impedance : 10 MΩ/V DC or better	DC voltmeter	Input impedance : 50 kΩ/V DC or better
RF power meter (terminated type)	Measuring range : 1–10 W Frequency range : 30–100 MHz Impedance : 50 Ω SWR : Less than 1.2 : 1	Oscilloscope	Frequency range : DC–20 MHz Measuring range : 0.01–20 V
		AC millivoltmeter	Measuring range : 10 mV–10 V

■ SYSTEM REQUIREMENTS

- IBM PC compatible computer with an RS -232C serial port (38400 bps or faster).
- Microsoft Windows 95 or Windows 98
- Intel i486DX processor or faster (Pentium 100 MHz or faster recommended)
- At least 16 MB RAM and 10 MB of hard disk space
- 640×480 pixel display (800×600 pixel display recommended)

■ ADJUSTMENT SOFTWARE INSTALLATION

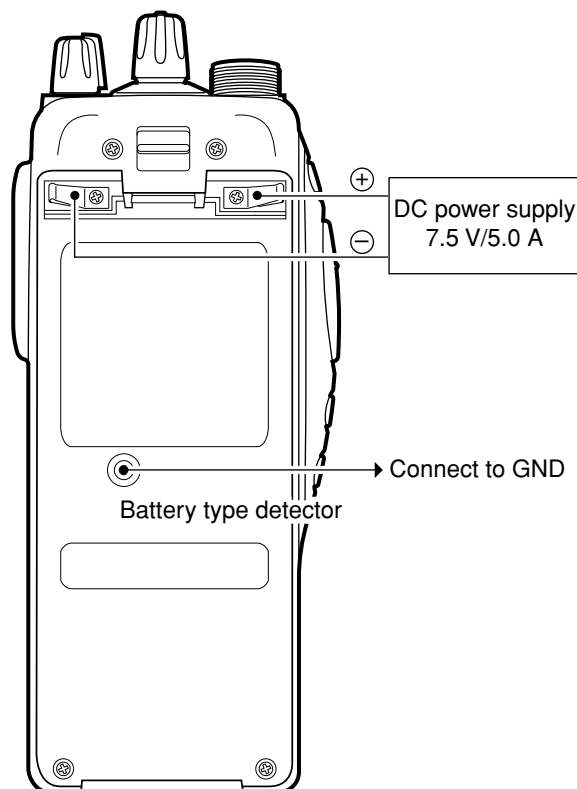
- ① Boot up Windows.
 - Quit all applications when Windows is running.
- ② Insert the 'CS-F30G' into the appropriate drive.
- ③ Select 'Run' from the [Start] menu.
- ④ Type the setup program name using the full path name, then push [Enter] key.
(ex. D:\CSF30GADJ\disk1\Setup.exe)
- ⑤ Follow the prompts.
- ⑥ Program group 'CS-F30G ADJ' appears in the 'Programs' folder of the [Start] menu.

■ STARTING SOFTWARE ADJUSTMENT

- ① Connect IC-F30GT-L, F30GS-L, F31GT-L or F31GS-L and PC with *OPC-966 JIG CABLE.
- ② Turn the transceiver power ON.
- ③ Boot up Windows, and click the program group 'CS-F30G ADJ' in the 'Programs' folder of the [Start] menu, then CS-F30G ADJ's window appears.
- ④ Click 'Connect' on the CS-F30G's window, then appears IC-F30GT-L, F30GS-L, F31GT-L or F31GS-L's up-to-date condition.
- ⑤ Set or modify adjustment data as desired.

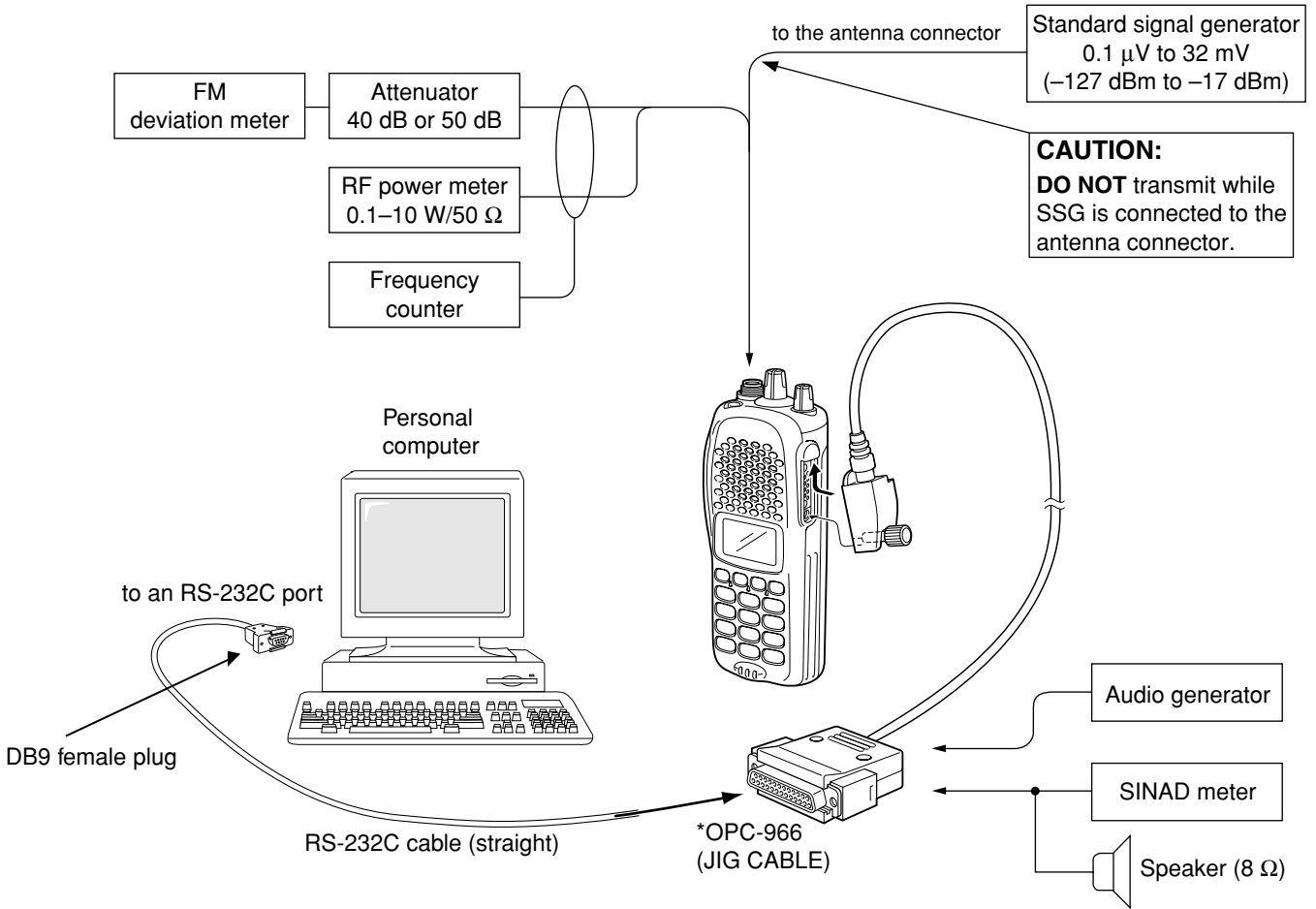
• High power transmission

When you adjust the output power (high power), the battery type detector must be connected to GND (see illustration at below). Otherwise the transceiver does not transmit high power, the output power will be low.

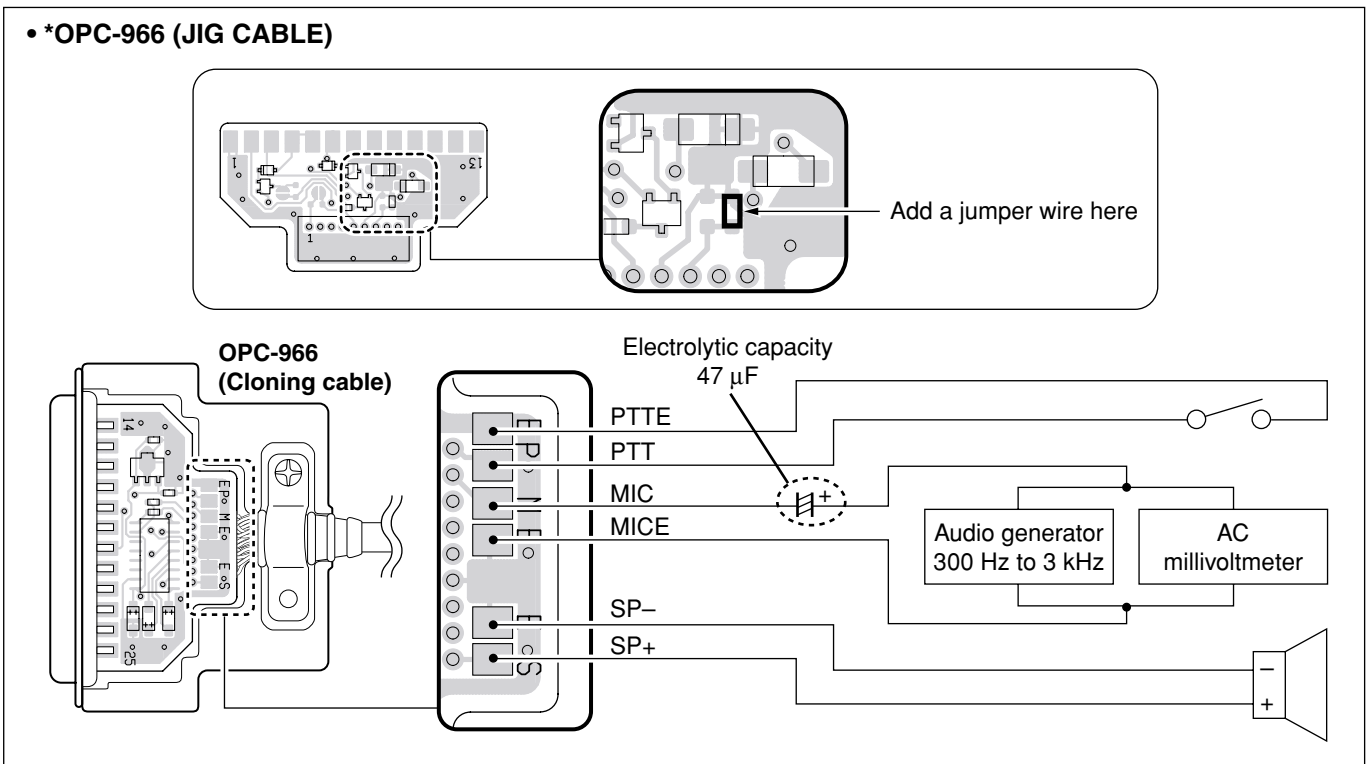


IBM is a registered trademark of International Business Machines Corporation in the U.S.A. and other countries. Microsoft and Windows are registered trademarks of Microsoft Corporation in the U.S.A. and other countries. Screen shots produced with permission from Microsoft Corporation. All other products or brands are registered trademarks or trademarks of their respective holders.

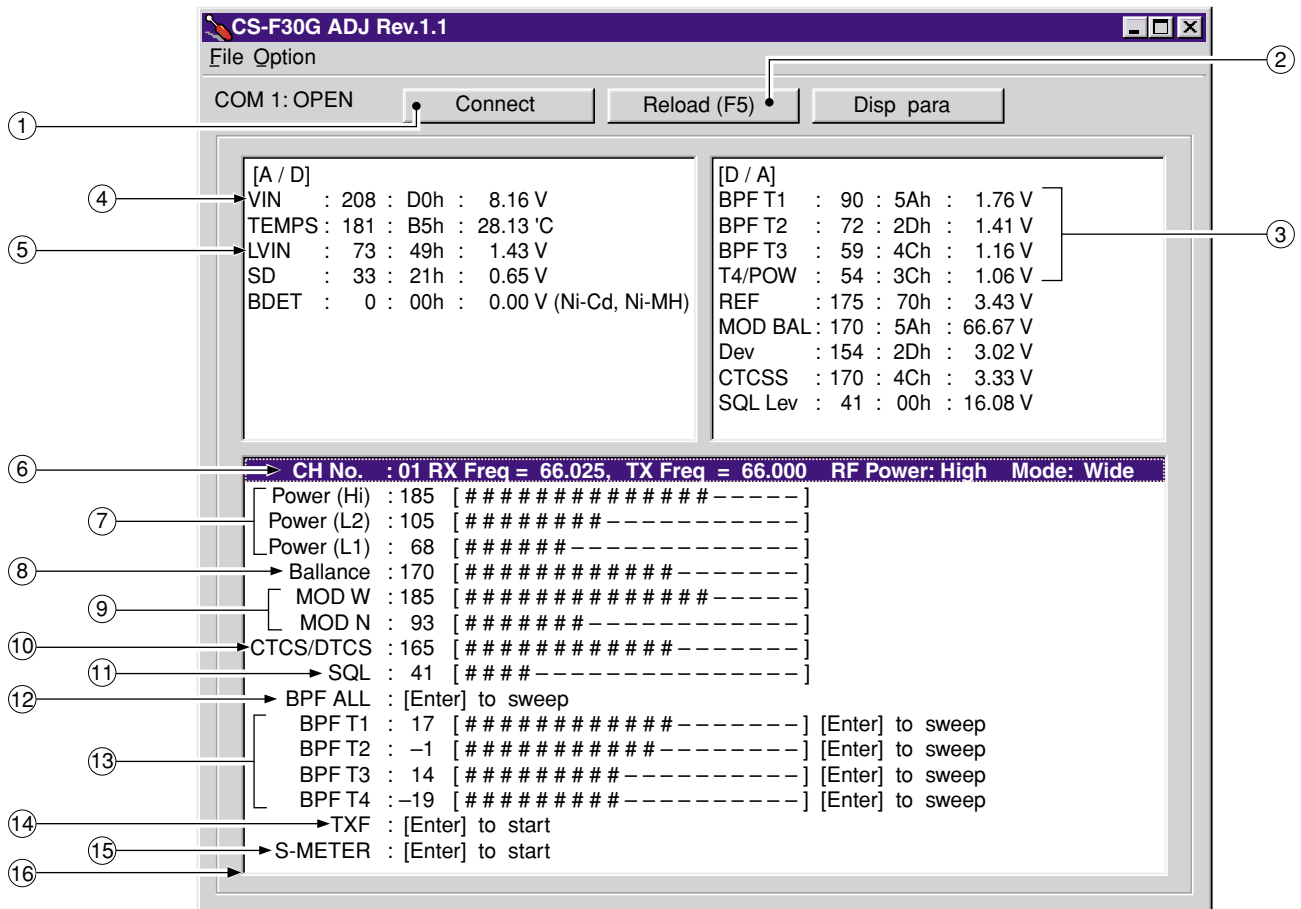
• Connection



• *OPC-966 (JIG CABLE)



• Screen display example



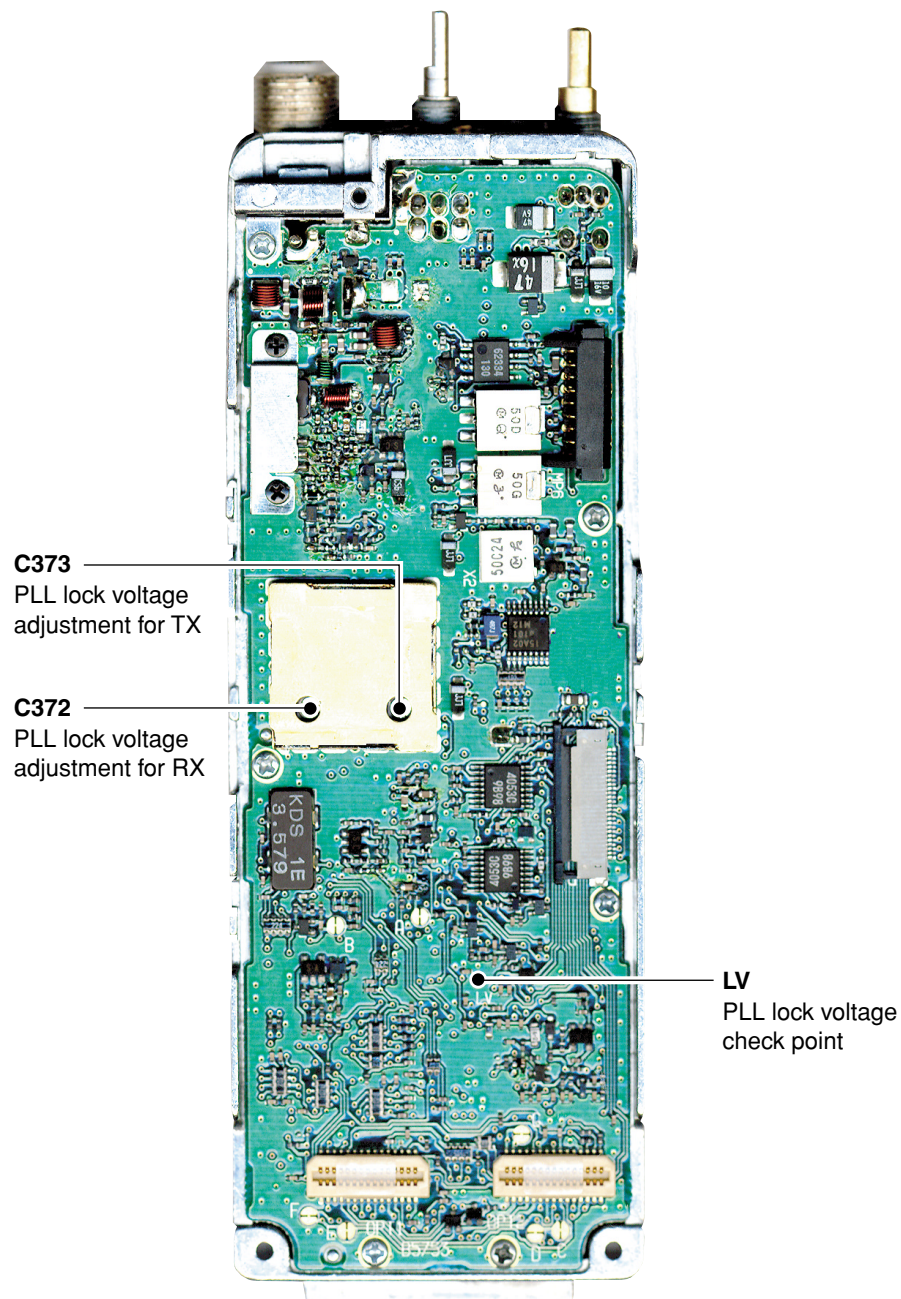
NOTE: The above values for settings are example only.
Each transceiver has its own specific values for each setting.

- | | |
|-------------------------------------|---|
| ① : Transceiver's connection state | ⑨ : FM deviation |
| ② : Reload adjustment data | ⑩ : CTCSS/DTCS deviation |
| ③ : Receive sensitivity measurement | ⑪ : Squelch level |
| ④ : Connected DC voltage | ⑫ : Receive sensitivity (automatically) |
| ⑤ : PLL lock voltage | ⑬ : Receive sensitivity (manually) |
| ⑥ : Operating channel select | ⑭ : Reference frequency |
| ⑦ : RF output power | ⑮ : S-meter |
| ⑧ : Modulation balance | ⑯ : Adjustment items |

5-2 PLL ADJUSTMENT

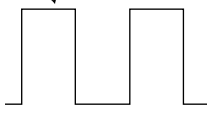
ADJUSTMENT	ADJUSTMENT CONDITIONS	MEASUREMENT		VALUE	ADJUSTMENT		
		UNIT	LOCATION		UNIT	ADJUST	
PLL LOCK VOLTAGE	1 • Operating freq. : 88.000 MHz • Receiving	MAIN	Connect a digital multi-meter or an oscilloscope to the check point, "LV".	3.5 V	MAIN	C372	
	2 • Transmitting					4.0 V	C373
	3 • Operating freq. : 66.000 MHz • Receiving					1.0–1.8 V	Verify
	4 • Transmitting						

• MAIN unit



5-3 SOFTWARE ADJUSTMENT

Select an operation using [↑] / [↓] keys, then set specified value using [←] / [→] keys on the connected computer keyboard.

ADJUSTMENT	ADJUSTMENT CONDITION	MEASUREMENT		VALUE
		UNIT	LOCATION	
REFERENCE FREQUENCY [TXF]	1 <ul style="list-style-type: none"> • Operating freq. : 88.000 MHz • Output power : Low1 • Connect an RF power meter or 50 Ω dummy load to the antenna connector. • Transmitting 	Top panel	Loosely couple a frequency counter to the antenna connector.	88.000 MHz
OUTPUT POWER [Power (Hi)]	1 <ul style="list-style-type: none"> • Operating freq. : 66.000 MHz • Output power : High • Transmitting 	Top panel	Connect an RF power meter to the antenna connector.	5.0 W
[Power (L2)]	2 <ul style="list-style-type: none"> • Output power : Low2 • Transmitting 			2.0 W
[Power (L1)]	3 <ul style="list-style-type: none"> • Output power : Low1 • Transmitting 			1.0 W
MODULATION BALLANCE [Ballance]	1 <ul style="list-style-type: none"> • Operating freq. : 77.000 MHz • Output power : Low1 • Set an FM deviation meter as: <ul style="list-style-type: none"> HPF : OFF LPF : 20 kHz De-emphasis : OFF Detector : (P-P)/2 • Push [P0] key while transmitting 	Top panel	Connect an FM deviation meter with an oscilloscope to the antenna connector through an attenuator.	Set to square wave form 
FM DEVIATION [MOD W]	1 <ul style="list-style-type: none"> • Operating freq. : 77.000 MHz • Output power : Low1 • IF bandwidth : Wide • Set the FM deviation meter as: <ul style="list-style-type: none"> HPF : OFF LPF : 20 kHz De-emphasis : OFF Detector : (P-P)/2 • Connect the audio generator to the multi connector through the JIG cable (*OPC-966) and set as : 1.0 kHz/150 mVrms • Transmitting 	Top panel	Connect an FM deviation meter to the antenna connector through the attenuator.	±4.1 kHz
[MOD N]	2 <ul style="list-style-type: none"> • IF bandwidth : Narrow • Transmitting 			±2.1 kHz
CTCSS/DTCS DEVIATON [CTCS/DTCS]	1 <ul style="list-style-type: none"> • Operating freq. : 77.000 MHz • Output power : Low1 • IF bandwidth : Wide • CTCSS : 88.5 Hz • DTCS code : 007 • No audio applied to the [MIC] input. • Transmitting 	Top panel	Connect an FM deviation meter to the antenna connector through the attenuator.	0.7 kHz

SOFTWARE ADJUSTMENT – continued

Select an operation using [↑] / [↓] keys, then set specified value using [←] / [→] keys on the connected computer keyboard.

ADJUSTMENT	ADJUSTMENT CONDITION	MEASUREMENT		VALUE	
		UNIT	LOCATION		
RX SENSITIVITY [BPF T1] – [BPF T4]	1	<ul style="list-style-type: none"> Operating freq. : 66.000 MHz IF bandwidth : Wide Connect a standard signal generator to the antenna connector and set as: <ul style="list-style-type: none"> Frequency : 66.000 MHz Level : 5.6 μV* (–92 dBm) Modulation : 1 kHz Deviation : \pm3.5 kHz Receiving 	MAIN	Connect a SINAD meter with an 8 Ω load to the multi connector through the JIG cable (*OPC-966).	Minimum distortion level
	<p>CONVENIENT: The BPF T1–BPF T4 can be adjusted automatically.</p> <p>①-1: Set the cursor to “BPF ALL” on the adjustment program and then push [ENTER] key. ①-2: The connected PC tunes BPF T1–BPF T4 to peak levels. or ②-1: Set the cursor to one of BPF T1, T2, T3, or T4 as desired. ②-2: Push [ENTER] key to start tuning. ②-3: Repeat ②-1 and ②-2 to perform additional BPF tuning.</p>				
S-METER [S-METER]	1	<ul style="list-style-type: none"> Operating freq. : 66.000 MHz IF bandwidth : Wide Connect an SSG to the antenna connector and set as: <ul style="list-style-type: none"> Frequency : 66.000 MHz Level : 14 μV* (–84 dBm) Modulation : 1 kHz Deviation : \pm3.5 kHz Receiving 	MAIN		Push [ENTER] key on the connected computer keyboard to set “S3 level”.
	2	<ul style="list-style-type: none"> Set an SSG as : <ul style="list-style-type: none"> Level : 0.45 μV* (–114 dBm) Modulation : 1 kHz Deviation : \pm3.5 kHz Receiving 			Push [ENTER] key on the connected computer keyboard to set “S1 level”.
SQUELCH LEVEL [SQL]	1	<ul style="list-style-type: none"> Operating freq. : 77.000 MHz IF bandwidth : Narrow Connect an SSG to the antenna connector and set as: <ul style="list-style-type: none"> Frequency : 77.000 MHz Level : 0.2 μV* (–121 dBm) Modulation : 1 kHz Deviation : \pm1.75 kHz Receiving 	Front panel	Internal speaker	Set “SQL level” to close squelch. Then set “SQL level” at the point where the audio signals just appears.

*The output level of the standard signal generator (SSG) is indicated as the SSG’s open circuit.

SECTION 6 PARTS LIST

[FRONT UNIT]

REF NO.	ORDER NO.	DESCRIPTION	
IC1	1130009860	S.IC	TC74VHC373FT (EL)
Q1	1530002850	S.TRANSISTOR	2SC4116-BL (TE85R)
Q2	1530002850	S.TRANSISTOR	2SC4116-BL (TE85R)
Q3	1590002150	S.TRANSISTOR	DTC144TE TL
Q4	1590002150	S.TRANSISTOR	DTC144TE TL
Q5	1590002150	S.TRANSISTOR	DTC144TE TL
Q6	1560001130	S.FET	CPH3403-TL
Q7	1560001130	S.FET	CPH3403-TL
Q8	1530002060	S.TRANSISTOR	2SC4081 T107 R
Q9	1590000430	S.TRANSISTOR	DTC144EUA T106
D1	1790001250	S.DIODE	MA2S111-(TX)
D2	1790001250	S.DIODE	MA2S111-(TX)
D3	1790001200	S.DIODE	MA6S121 (TX)
D4	1790001250	S.DIODE	MA2S111-(TX)
R1	7030007300	S.RESISTOR	ERJ2GEJ 332 X (3.3 kΩ)
R2	7030005030	S.RESISTOR	ERJ2GEJ 152 X (1.5 kΩ)
R3	7030007250	S.RESISTOR	ERJ2GEJ 220 X (22 Ω)
R4	7030009150	S.RESISTOR	ERJ2GEJ 824 X (820 kΩ)
R5	7030009150	S.RESISTOR	ERJ2GEJ 824 X (820 kΩ)
R6	7030006610	S.RESISTOR	ERJ2GEJ 394 X (390 kΩ)
R7	7030008310	S.RESISTOR	ERJ2GEJ 564 X (560 kΩ)
R8	7030008370	S.RESISTOR	ERJ2GEJ 561 X (560 Ω)
R9	7030004990	S.RESISTOR	ERJ2GEJ 221 X (220 Ω)
R10	7030005030	S.RESISTOR	ERJ2GEJ 152 X (1.5 kΩ)
R11	7030007300	S.RESISTOR	ERJ2GEJ 332 X (3.3 kΩ)
R12	7030005060	S.RESISTOR	ERJ2GEJ 333 X (33 kΩ)
R13	7030007280	S.RESISTOR	ERJ2GEJ 331 X (330 Ω)
R14	7030005090	S.RESISTOR	ERJ2GEJ 104 X (100 kΩ)
R17	7030005090	S.RESISTOR	ERJ2GEJ 104 X (100 kΩ)
R18	7410000750	S.ARRAY	EXB-V4V 104JV (100 kΩ)
R19	7030005050	S.RESISTOR	ERJ2GEJ 103 X (10 kΩ)
R20	7030005170	S.RESISTOR	ERJ2GEJ 474 X (470 kΩ)
R21	7030005090	S.RESISTOR	ERJ2GEJ 104 X (100 kΩ)
R22	7030005170	S.RESISTOR	ERJ2GEJ 474 X (470 kΩ)
C1	4030016930	S.CERAMIC	ECJ0EB1A104K
C2	4030016930	S.CERAMIC	ECJ0EB1A104K
C3	4030016930	S.CERAMIC	ECJ0EB1A104K
C4	4550006150	S.TANTALUM	ECST1CY105R
C6	4550006150	S.TANTALUM	ECST1CY105R
C7	4550006150	S.TANTALUM	ECST1CY105R
C8	4550006150	S.TANTALUM	ECST1CY105R
C9	4550006150	S.TANTALUM	ECST1CY105R
C10	4550006150	S.TANTALUM	ECST1CY105R
C11	4550006150	S.TANTALUM	ECST1CY105R
C12	4030017420	S.CERAMIC	ECJ0EC1H470J
C13	4030017420	S.CERAMIC	ECJ0EC1H470J
C14	4030017420	S.CERAMIC	ECJ0EC1H470J
C15	4030017420	S.CERAMIC	ECJ0EC1H470J
C16	4030017460	S.CERAMIC	ECJ0EB1E102K
C17	4030017420	S.CERAMIC	ECJ0EC1H470J
C18	4030017420	S.CERAMIC	ECJ0EC1H470J
C19	4030016930	S.CERAMIC	ECJ0EB1A104K
C20	4030017420	S.CERAMIC	ECJ0EC1H470J
C21	4550006150	S.TANTALUM	ECST1CY105R
C22	4030016930	S.CERAMIC	ECJ0EB1A104K
C23	4550006150	S.TANTALUM	ECST1CY105R
C24	4030016780	S.CERAMIC	ECJ0EB1C153K
C25	4030017420	S.CERAMIC	ECJ0EC1H470J
C26	4030016930	S.CERAMIC	ECJ0EB1A104K
J1	6510022360	S.CONNECTOR	26FLZ-SM1-TB
J2	6510022200	S.CONNECTOR	40FLZ-SM1-R-TB

[FRONT UNIT]

REF NO.	ORDER NO.	DESCRIPTION	
DS1	5010000160	S.LED	LNJ310M6URA
DS2	5010000160	S.LED	LNJ310M6URA
DS3	5010000160	S.LED	LNJ310M6URA
DS4	5010000160	S.LED	LNJ310M6URA
DS5	5040002170	S.LED	LNJ210C6ARA
DS6	5010000120	S.LED	LN1371G-(TR) [GT] only
DS7	5010000120	S.LED	LN1371G-(TR) [GT] only
DS8	5010000120	S.LED	LN1371G-(TR) [GT] only
DS9	5010000120	S.LED	LN1371G-(TR) [GT] only
DS10	5030001870	LCD	EDMMUD1FA0
DS11	5010000120	S.LED	LN1371G-(TR) [GT] only
DS12	5010000120	S.LED	LN1371G-(TR) [GT] only
DS13	5010000160	S.LED	LNJ310M6URA
DS14	5010000120	S.LED	LN1371G-(TR) [GS] only
DS15	5010000120	S.LED	LN1371G-(TR) [GS] only
MC1	7700002310	MICROPHONE	EM-140
S1	2230001060	S.SWITCH	EVQ-PUL 02K
S2	2230001060	S.SWITCH	EVQ-PUL 02K
S3	2230001060	S.SWITCH	EVQ-PUL 02K
S4	2230001060	S.SWITCH	EVQ-PUL 02K
S5	2230001060	S.SWITCH	EVQ-PUL 02K
SP1	2510001060	SPEAKER	K036NA500-47
W1	7120000470	JUMPER	ERDS2T0
EP1	0910053981	PCB	B 5671A

[GT]: IC-F30GT-L/F31GT-L, [GS]: IC-F30GS-L/F31GS-L

S.=Surface mount

[MAIN UNIT]

REF NO.	ORDER NO.	DESCRIPTION	
IC1	1140005990	S.IC	MB15A02PFV1-G-BND-ER
IC3	1110003490	S.IC	TA31136FN (D. EL)
IC4	1130008560	S.IC	TC75S51F (TE85L)
IC5	1110001810	S.IC	TA7368F (TP1)
IC7	1110002750	S.IC	TA75S01F (TE85R)
IC8	1130008560	S.IC	TC75S51F (TE85L)
IC9	1130009330	S.IC	TC35453F (BR. DRY)
IC10	1110002750	S.IC	TA75S01F (TE85R)
IC12	1110003390	S.IC	AN8005M-(E1)
IC13	1190001350	S.IC	M62364FP 600D
IC14	1140008732	S.IC	HD64F2238FA13 (FX-2336A-3)
IC15	1130009110	S.IC	S-80942ANMP-DD6-T2
IC16	1140008650	S.IC	HN58X2464TI
IC17	1130009700	S.IC	LC73872M-TRM
IC18	1110002750	S.IC	TA75S01F (TE85R)
IC19	1130008230	S.IC	BU4053BCFV-E2
IC20	1110003800	S.IC	NJM2904V-TE1
IC21	1110002750	S.IC	TA75S01F (TE85R)
IC23	1130007570	S.IC	BU4094BCFV-E2
IC24	1140008650	S.IC	HN58X2464TI
IC25	1130008230	S.IC	BU4053BCFV-E2
IC27	1190001340	S.IC	M62334FP 600C
IC30	1130007020	S.IC	TC7S66FU (TE85R)
IC31	1130008560	S.IC	TC75S51F (TE85L)
IC32	1130008560	S.IC	TC75S51F (TE85L)
Q1	1560001050	S.FET	2SK2974
Q2	1560001020	S.FET	2SK2973 (MTS101P)
Q5	1530002920	S.TRANSISTOR	2SC4226-T2 R25
Q6	1530002600	S.TRANSISTOR	2SC4215-O (TE85R)
Q7	1530002600	S.TRANSISTOR	2SC4215-O (TE85R)
Q8	1530002600	S.TRANSISTOR	2SC4215-O (TE85R)
Q9	1590000430	S.TRANSISTOR	DTC144EUA T106
Q10	1590001400	S.TRANSISTOR	XP1214 (TX)
Q11	1530002920	S.TRANSISTOR	2SC4226-T2 R25
Q12	1530002920	S.TRANSISTOR	2SC4226-T2 R25
Q13	1530002850	S.TRANSISTOR	2SC4116-BL (TE85R)
Q14	1560000540	S.FET	2SK880-Y (TE85R)
Q15	1530002600	S.TRANSISTOR	2SC4215-O (TE85R)
Q16	1590000720	S.TRANSISTOR	DTA144EUA T106
Q17	1530002060	S.TRANSISTOR	2SC4081 T107 R
Q18	1530002600	S.TRANSISTOR	2SC4215-O (TE85R)
Q19	1580000450	S.FET	3SK177-T1B U72
Q20	1580000730	S.FET	3SK293 (TE85L)
Q22	1590000720	S.TRANSISTOR	DTA144EUA T106
Q23	1520000460	S.TRANSISTOR	2SB1132 T100 R
Q24	1590001190	S.TRANSISTOR	XP6501-(TX) .AB
Q26	1590000430	S.TRANSISTOR	DTC144EUA T106
Q27	1530003090	S.TRANSISTOR	2SC4213-B (TE85R)
Q29	1510000580	S.TRANSISTOR	2SA1362-GR (TE85R)
Q30	1510000580	S.TRANSISTOR	2SA1362-GR (TE85R)
Q31	1510000580	S.TRANSISTOR	2SA1362-GR (TE85R)
Q32	1520000460	S.TRANSISTOR	2SB1132 T100 R
Q33	1590001190	S.TRANSISTOR	XP6501-(TX) .AB
Q34	1530002600	S.TRANSISTOR	2SC4215-O (TE85R)
Q39	1530002060	S.TRANSISTOR	2SC4081 T107 R
Q40	1590001400	S.TRANSISTOR	XP1214 (TX)
Q41	1590000430	S.TRANSISTOR	DTC144EUA T106
Q43	1530002060	S.TRANSISTOR	2SC4081 T107 R
Q44	1590000430	S.TRANSISTOR	DTC144EUA T106
Q45	1590002530	S.TRANSISTOR	UN911H (TX)
Q46	1590000430	S.TRANSISTOR	DTC144EUA T106
Q47	1530002060	S.TRANSISTOR	2SC4081 T107 R
Q48	1560000840	S.FET	2SK1829 (TE85R)
Q49	1590000430	S.TRANSISTOR	DTC144EUA T106
Q50	1590001540	S.TRANSISTOR	UMD6N TR
D1	1790001260	S.DIODE	MA2S077-(TX)
D2	1790001670	S.DIODE	RB706F-40T106
D3	1790001670	S.DIODE	RB706F-40T106
D4	1790001260	S.DIODE	MA2S077-(TX)
D5	1790001260	S.DIODE	MA2S077-(TX)
D6	1750000840	S.VARICAP	1SV324 (TPH3)
D7	1720000470	S.VARICAP	1SV239 (TPH3)
D8	1750000770	S.VARICAP	HVC376BTRF
D9	1720000360	S.DIODE	H5U88TRF
D10	1160000060	S.DIODE	DAN202U T107
D11	1750000840	S.VARICAP	1SV324 (TPH3)
D12	1750000840	S.VARICAP	1SV324 (TPH3)
D13	1160000050	S.DIODE	DAP202U T107

[MAIN UNIT]

REF NO.	ORDER NO.	DESCRIPTION	
D14	1160000050	S.DIODE	DAP202U T107
D15	1160000060	S.DIODE	DAN202U T107
D16	1160000060	S.DIODE	DAN202U T107
D18	1750000840	S.VARICAP	1SV324 (TPH3)
D19	1750000840	S.VARICAP	1SV324 (TPH3)
D20	1750000770	S.VARICAP	HVC376BTRF
D21	1750000770	S.VARICAP	HVC376BTRF
D23	1790001210	S.DIODE	1SS375-TL
D24	1790001620	S.DIODE	1SV308 (TLP3)
D25	1790001620	S.DIODE	1SV308 (TLP3)
D26	1790001250	S.DIODE	MA2S111-(TX)
D27	1790001260	S.DIODE	MA2S077-(TX)
D29	1750000550	S.DIODE	1SS355 TE-17
D30	1730002360	S.ZENER	MA8062-M (TX)
D31	1790001250	S.DIODE	MA2S111-(TX)
D33	1790001250	S.DIODE	MA2S111-(TX)
D34	1730002360	S.ZENER	MA8062-M (TX)
D35	1730002360	S.ZENER	MA8062-M (TX)
D36	1730002360	S.ZENER	MA8062-M (TX)
D38	1790001250	S.DIODE	MA2S111-(TX)
D39	1730002260	S.ZENER	MA8030-H (TX)
D40	1790000980	S.DIODE	MA742 (TX)
D41	1790001250	S.DIODE	MA2S111-(TX)
D42	1790001250	S.DIODE	MA2S111-(TX)
D43	1750000840	S.VARICAP	1SV324 (TPH3)
D45	1750000770	S.VARICAP	HVC376BTRF
D46	1750000840	S.VARICAP	1SV324 (TPH3)
D47	1790001250	S.DIODE	MA2S111-(TX)
D48	1790001250	S.DIODE	MA2S111-(TX)
D49	1790001250	S.DIODE	MA2S111-(TX)
D50	1750000840	S.VARICAP	1SV324 (TPH3)
F11	2010002530	S.MONOLITH	FL-328 (38.850 MHz)
F12	2020001830	S.FILTER	SFPC450D-TC01
F13	2020001080	S.CERAMIC	SFPC450G-TC01
X1	6050011220	S.XTAL	CR-701 (19.2 MHz)
X2	6070000190	S.DISCRIMINATOR	CDBC450CX24
X3	6050011000	S.XTAL	CR-681 (12.288 MHz)
X4	6050009910	S.XTAL	CR-563 (3.579545 MHz)
L1	6200009750	S.COIL	0.30-2.0-7TL 68N
L2	6200009720	S.COIL	0.30-2.5-7TL 100N
L3	6200009720	S.COIL	0.30-2.5-7TL 100N
L4	6200005010	S.COIL	NL 252018T-100J
L5	6200009720	S.COIL	0.30-2.5-7TL 100N
L6	6200008500	S.COIL	0.30-1.3-6TL 28N
L8	6200008180	S.COIL	0.25-1.9-10TL 107N
L9	6200003590	S.COIL	EXCCL3225U1
L11	6200005740	S.COIL	ELJRE 47NG-F
L14	6200003590	S.COIL	EXCCL3225U1
L16	6200009350	S.COIL	ELJRE R22G-F3
L17	6200006980	S.COIL	ELJRE R10G-F
L18	6200006980	S.COIL	ELJRE R10G-F
L19	6200005010	S.COIL	NL 252018T-100J
L20	6200008300	S.COIL	0.35-1.6-9TL 65N
L21	6200005010	S.COIL	NL 252018T-100J
L22	6200002860	S.COIL	NL 252018T-4R7J
L23	6200009730	S.COIL	0.30-2.0-11TL 120N
L24	6200005010	S.COIL	NL 252018T-100J
L25	6200002860	S.COIL	NL 252018T-4R7J
L26	6200003960	S.COIL	MLF1608A 1R0K-T
L27	6200003960	S.COIL	MLF1608A 1R0K-T
L28	6200003960	S.COIL	MLF1608A 1R0K-T
L29	6200007000	S.COIL	ELJRE 82NG-F
L31	6200005540	S.COIL	ELJNC R47K-F
L32	6200005140	S.COIL	MLF1608D R33K-T
L33	6200007780	S.COIL	LQN21A R12J04
L34	6200007780	S.COIL	LQN21A R12J04
L35	6200001980	S.COIL	NL 252018T-1R0J
L36	6200008080	S.COIL	LQN21A R22J04
L37	6200008080	S.COIL	LQN21A R22J04
L39	6200002180	S.COIL	NL 252018T-R12J
L40	6200009730	S.COIL	0.30-2.0-11TL 120N
L43	6200002860	S.COIL	NL 252018T-4R7J
L44	6200001980	S.COIL	NL 252018T-1R0J
L45	6200003550	S.COIL	MLF1608A 4R7K-T
L46	6200005010	S.COIL	NL 252018T-100J
L47	6200001980	S.COIL	NL 252018T-1R0J

[GT]: IC-F30GT-L/F31GT-L, [GS]: IC-F30GS-L/F31GS-L

S.=Surface mount

[MAIN UNIT]

REF NO.	ORDER NO.	DESCRIPTION	
L49	6200003550	S.COIL	MLF1608A 4R7K-T
L51	6200003960	S.COIL	MLF1608A 1R0K-T
L52	6910011690	S.COIL	ACB1608M-600-T
L53	6200007000	S.COIL	ELJRE 82NG-F
R1	7030000610	S.RESISTOR	MCR10EZHZ 82 kΩ (823)
R2	7030000260	S.RESISTOR	MCR10EZHZ 100 Ω (101)
R3	7030003500	S.RESISTOR	ERJ3GEYJ 332 V (3.3 kΩ)
R4	7030003560	S.RESISTOR	ERJ3GEYJ 103 V (10 kΩ)
R5	7030005290	S.RESISTOR	ERJ2GEJ 682 X (6.8 kΩ)
R6	7030005290	S.RESISTOR	ERJ2GEJ 682 X (6.8 kΩ)
R7	7030005530	S.RESISTOR	ERJ2GEJ 100 X (10 Ω)
R8	7030004970	S.RESISTOR	ERJ2GEJ 470 X (47 Ω)
R9	7030005040	S.RESISTOR	ERJ2GEJ 472 X (4.7 kΩ) [F30G]
	7030005210	S.RESISTOR	ERJ2GEJ 822 X (8.2 kΩ) [F31G]
R10	7030004970	S.RESISTOR	ERJ2GEJ 470 X (47 Ω)
R11	7030007570	S.RESISTOR	ERJ2GEJ 122 X (1.2 kΩ)
R12	7030004970	S.RESISTOR	ERJ2GEJ 470 X (47 Ω)
R13	7030007300	S.RESISTOR	ERJ2GEJ 332 X (3.3 kΩ)
R14	7030004990	S.RESISTOR	ERJ2GEJ 221 X (220 Ω)
R15	7030008280	S.RESISTOR	ERJ2GEJ 271 X (270 Ω)
R16	7030004980	S.RESISTOR	ERJ2GEJ 101 X (100 Ω)
R17	7030005040	S.RESISTOR	ERJ2GEJ 472 X (4.7 kΩ)
R18	7030005050	S.RESISTOR	ERJ2GEJ 103 X (10 kΩ)
R19	7030004980	S.RESISTOR	ERJ2GEJ 101 X (100 Ω)
R20	7030005040	S.RESISTOR	ERJ2GEJ 472 X (4.7 kΩ)
R21	7030004980	S.RESISTOR	ERJ2GEJ 101 X (100 Ω)
R22	7030005240	S.RESISTOR	ERJ2GEJ 473 X (47 kΩ)
R23	7030009320	S.RESISTOR	ERJ2GEJ 4R7 X (4.7 Ω)
R24	7030004980	S.RESISTOR	ERJ2GEJ 101 X (100 Ω)
R25	7030005090	S.RESISTOR	ERJ2GEJ 104 X (100 kΩ)
R26	7030004980	S.RESISTOR	ERJ2GEJ 101 X (100 Ω)
R27	7030005000	S.RESISTOR	ERJ2GEJ 471 X (470 Ω)
R28	7030005310	S.RESISTOR	ERJ2GEJ 124 X (120 kΩ)
R29	7030005050	S.RESISTOR	ERJ2GEJ 103 X (10 kΩ)
R30	7030005290	S.RESISTOR	ERJ2GEJ 682 X (6.8 kΩ)
R31	7030005290	S.RESISTOR	ERJ2GEJ 682 X (6.8 kΩ)
R33	7030007280	S.RESISTOR	ERJ2GEJ 331 X (330 Ω)
R34	7030005290	S.RESISTOR	ERJ2GEJ 682 X (6.8 kΩ)
R35	7030005210	S.RESISTOR	ERJ2GEJ 822 X (8.2 kΩ)
R36	7030009320	S.RESISTOR	ERJ2GEJ 4R7 X (4.7 Ω)
R37	7030007280	S.RESISTOR	ERJ2GEJ 331 X (330 Ω)
R38	7030007290	S.RESISTOR	ERJ2GEJ 222 X (2.2 kΩ)
R41	7030005110	S.RESISTOR	ERJ2GEJ 224 X (220 kΩ)
R42	7030005530	S.RESISTOR	ERJ2GEJ 100 X (10 Ω)
R43	7030007300	S.RESISTOR	ERJ2GEJ 332 X (3.3 kΩ)
R44	7030007290	S.RESISTOR	ERJ2GEJ 222 X (2.2 kΩ)
R45	7030005000	S.RESISTOR	ERJ2GEJ 471 X (470 Ω)
R46	7030005050	S.RESISTOR	ERJ2GEJ 103 X (10 kΩ)
R48	7030005050	S.RESISTOR	ERJ2GEJ 103 X (10 kΩ)
R49	7030005240	S.RESISTOR	ERJ2GEJ 473 X (47 kΩ)
R50	7030005120	S.RESISTOR	ERJ2GEJ 102 X (1 kΩ)
R51	7030007290	S.RESISTOR	ERJ2GEJ 222 X (2.2 kΩ)
R52	7030005080	S.RESISTOR	ERJ2GEJ 823 X (82 kΩ)
R53	7030005240	S.RESISTOR	ERJ2GEJ 473 X (47 kΩ)
R54	7030005310	S.RESISTOR	ERJ2GEJ 124 X (120 kΩ)
R55	7030007300	S.RESISTOR	ERJ2GEJ 332 X (3.3 kΩ)
R56	7030005240	S.RESISTOR	ERJ2GEJ 473 X (47 kΩ)
R57	7030005170	S.RESISTOR	ERJ2GEJ 474 X (470 kΩ)
R58	7410000950	S.ARRAY	EXB-V8V 102JV
R59	7030004970	S.RESISTOR	ERJ2GEJ 470 X (47 Ω)
R60	7030005090	S.RESISTOR	ERJ2GEJ 104 X (100 kΩ)
R61	7030005110	S.RESISTOR	ERJ2GEJ 224 X (220 kΩ)
R62	7030007570	S.RESISTOR	ERJ2GEJ 122 X (1.2 kΩ)
R63	7030004980	S.RESISTOR	ERJ2GEJ 101 X (100 Ω)
R64	7030005240	S.RESISTOR	ERJ2GEJ 473 X (47 kΩ)
R65	7030005240	S.RESISTOR	ERJ2GEJ 473 X (47 kΩ)
R66	7030005240	S.RESISTOR	ERJ2GEJ 473 X (47 kΩ)
R67	7030005090	S.RESISTOR	ERJ2GEJ 104 X (100 kΩ)
R68	7030005100	S.RESISTOR	ERJ2GEJ 154 X (150 kΩ)
R69	7030005090	S.RESISTOR	ERJ2GEJ 104 X (100 kΩ)
R73	7030005090	S.RESISTOR	ERJ2GEJ 104 X (100 kΩ)
R75	7030005090	S.RESISTOR	ERJ2GEJ 104 X (100 kΩ)
R77	7030007340	S.RESISTOR	ERJ2GEJ 153 X (15 kΩ)
R78	7030005220	S.RESISTOR	ERJ2GEJ 223 X (22 kΩ)
R79	7030008010	S.RESISTOR	ERJ2GEJ 123 X (12 kΩ)
R80	7030005220	S.RESISTOR	ERJ2GEJ 223 X (22 kΩ)
R81	7030005000	S.RESISTOR	ERJ2GEJ 471 X (470 Ω)
R82	7030007340	S.RESISTOR	ERJ2GEJ 153 X (15 kΩ)
R83	7030008280	S.RESISTOR	ERJ2GEJ 271 X (270 Ω)
R85	7030007280	S.RESISTOR	ERJ2GEJ 331 X (330 Ω)

[MAIN UNIT]

REF NO.	ORDER NO.	DESCRIPTION	
R86	7030005310	S.RESISTOR	ERJ2GEJ 124 X (120 kΩ)
R87	7030008400	S.RESISTOR	ERJ2GEJ 182 X (1.8 kΩ)
R88	7030005070	S.RESISTOR	ERJ2GEJ 683 X (68 kΩ)
R89	7030005030	S.RESISTOR	ERJ2GEJ 152 X (1.5 kΩ)
R90	7030004970	S.RESISTOR	ERJ2GEJ 470 X (47 Ω)
R91	7030005050	S.RESISTOR	ERJ2GEJ 103 X (10 kΩ)
R92	7030005240	S.RESISTOR	ERJ2GEJ 473 X (47 kΩ)
R93	7030005240	S.RESISTOR	ERJ2GEJ 473 X (47 kΩ)
R94	7030008400	S.RESISTOR	ERJ2GEJ 182 X (1.8 kΩ)
R96	7030007290	S.RESISTOR	ERJ2GEJ 222 X (2.2 kΩ)
R97	7030008370	S.RESISTOR	ERJ2GEJ 561 X (560 Ω)
R98	7030005310	S.RESISTOR	ERJ2GEJ 124 X (120 kΩ)
R99	7030009280	S.RESISTOR	ERJ2GE 391 X (390 Ω)
R103	7030004990	S.RESISTOR	ERJ2GEJ 221 X (220 Ω)
R104	7030005040	S.RESISTOR	ERJ2GEJ 472 X (4.7 kΩ)
R105	7030005120	S.RESISTOR	ERJ2GEJ 102 X (1 kΩ)
R106	7030009270	S.RESISTOR	ERJ2GEJ 821 X (820 Ω)
R107	7030009320	S.RESISTOR	ERJ2GEJ 4R7 X (4.7 Ω)
R108	7030009270	S.RESISTOR	ERJ2GEJ 821 X (820 Ω)
R109	7030005120	S.RESISTOR	ERJ2GEJ 102 X (1 kΩ)
R110	7030005050	S.RESISTOR	ERJ2GEJ 103 X (10 kΩ)
R111	7030005090	S.RESISTOR	ERJ2GEJ 104 X (100 kΩ)
R112	7030005090	S.RESISTOR	ERJ2GEJ 104 X (100 kΩ)
R113	7030005090	S.RESISTOR	ERJ2GEJ 104 X (100 kΩ)
R114	7030005090	S.RESISTOR	ERJ2GEJ 104 X (100 kΩ)
R115	7030005090	S.RESISTOR	ERJ2GEJ 104 X (100 kΩ)
R116	7030005040	S.RESISTOR	ERJ2GEJ 472 X (4.7 kΩ)
R117	7030008280	S.RESISTOR	ERJ2GEJ 271 X (270 Ω)
R118	7030008290	S.RESISTOR	ERJ2GEJ 183 X (18 kΩ)
R119	7030005310	S.RESISTOR	ERJ2GEJ 124 X (120 kΩ)
R125	7030005090	S.RESISTOR	ERJ2GEJ 104 X (100 kΩ)
R126	7030005040	S.RESISTOR	ERJ2GEJ 472 X (4.7 kΩ)
R127	7030004980	S.RESISTOR	ERJ2GEJ 101 X (100 Ω)
R128	7030005170	S.RESISTOR	ERJ2GEJ 474 X (470 kΩ)
R129	7030007290	S.RESISTOR	ERJ2GEJ 222 X (2.2 kΩ)
R130	7030005050	S.RESISTOR	ERJ2GEJ 103 X (10 kΩ)
R131	7030005230	S.RESISTOR	ERJ2GEJ 334 X (330 kΩ)
R132	7030005700	S.RESISTOR	ERJ2GEJ 274 X (270 kΩ)
R133	7030007290	S.RESISTOR	ERJ2GEJ 222 X (2.2 kΩ)
R134	7030003200	S.RESISTOR	ERJ3GEYJ 100 V (10 Ω)
R135	7030003200	S.RESISTOR	ERJ3GEYJ 100 V (10 Ω)
R136	7030005290	S.RESISTOR	ERJ2GEJ 682 X (6.8 kΩ)
R137	7030009140	S.RESISTOR	ERJ2GEJ 272 X (2.7 kΩ)
R138	7030007300	S.RESISTOR	ERJ2GEJ 332 X (3.3 kΩ)
R139	7030005120	S.RESISTOR	ERJ2GEJ 102 X (1 kΩ)
R140	7030005160	S.RESISTOR	ERJ2GEJ 105 X (1 MΩ)
R141	7030005070	S.RESISTOR	ERJ2GEJ 683 X (68 kΩ)
R149	7510001220	S.THERMISTOR	NTCCM1608 4BH 152KC
R150	7030005220	S.RESISTOR	ERJ2GEJ 223 X (22 kΩ)
R151	7030005100	S.RESISTOR	ERJ2GEJ 154 X (150 kΩ)
R152	7030005310	S.RESISTOR	ERJ2GEJ 124 X (120 kΩ)
R153	7030009320	S.RESISTOR	ERJ2GEJ 4R7 X (4.7 Ω)
R155	7030007350	S.RESISTOR	ERJ2GEJ 393 X (39 kΩ)
R157	7030005220	S.RESISTOR	ERJ2GEJ 223 X (22 kΩ)
R159	7030005090	S.RESISTOR	ERJ2GEJ 104 X (100 kΩ)
R161	7030005070	S.RESISTOR	ERJ2GEJ 683 X (68 kΩ)
R162	7030005070	S.RESISTOR	ERJ2GEJ 683 X (68 kΩ)
R163	7030005060	S.RESISTOR	ERJ2GEJ 333 X (33 kΩ)
R164	7030005110	S.RESISTOR	ERJ2GEJ 224 X (220 kΩ)
R165	7030005600	S.RESISTOR	ERJ2GEJ 273 X (27 kΩ)
R166	7030005040	S.RESISTOR	ERJ2GEJ 472 X (4.7 kΩ)
R167	7030005170	S.RESISTOR	ERJ2GEJ 474 X (470 kΩ)
R168	7030007350	S.RESISTOR	ERJ2GEJ 393 X (39 kΩ)
R171	7030005070	S.RESISTOR	ERJ2GEJ 683 X (68 kΩ)
R172	7030005070	S.RESISTOR	ERJ2GEJ 683 X (68 kΩ)
R173	7030005100	S.RESISTOR	ERJ2GEJ 154 X (150 kΩ)
R174	7030005600	S.RESISTOR	ERJ2GEJ 273 X (27 kΩ)
R175	7030009290	S.RESISTOR	ERJ2GEJ 562 X (5.6 kΩ)
R176	7030007350	S.RESISTOR	ERJ2GEJ 393 X (39 kΩ)
R177	7030005600	S.RESISTOR	ERJ2GEJ 273 X (27 kΩ)
R178	7030005600	S.RESISTOR	ERJ2GEJ 273 X (27 kΩ)
R179	7030005600	S.RESISTOR	ERJ2GEJ 273 X (27 kΩ)
R180	7030007340	S.RESISTOR	ERJ2GEJ 153 X (15 kΩ)
R181	7030005600	S.RESISTOR	ERJ2GEJ 273 X (27 kΩ)
R182	7030005600	S.RESISTOR	ERJ2GEJ 273 X (27 kΩ)
R183	7030005030	S.RESISTOR	ERJ2GEJ 152 X (1.5 kΩ)
R184	7030008010	S.RESISTOR	ERJ2GEJ 123 X (12 kΩ)
R185	7030005310	S.RESISTOR	ERJ2GEJ 124 X (120 kΩ)
R186	7030005070	S.RESISTOR	ERJ2GEJ 683 X (68 kΩ)
R187	7030005040	S.RESISTOR	ERJ2GEJ 472 X (4.7 kΩ)
R188	7030005090	S.RESISTOR	ERJ2GEJ 104 X (100 kΩ)
R189	7030005000	S.RESISTOR	ERJ2GEJ 471 X (470 Ω)

[GT]: IC-F30GT-L/F31GT-L, [GS]: IC-F30GS-L/F31GS-L
 [F30G]: IC-F30GT-L/F30GS-L, [F31G]: IC-F31GT-L/F31GS-L

S.=Surface mount

[MAIN UNIT]

REF NO.	ORDER NO.	DESCRIPTION
R190	7030005090	S.RESISTOR ERJ2GEJ 104 X (100 kΩ)
R192	7030005090	S.RESISTOR ERJ2GEJ 104 X (100 kΩ)
R193	7210003060	VARIABLE TP76N00N-15F-10KA-2251
R195	7030005040	S.RESISTOR ERJ2GEJ 472 X (4.7 kΩ)
R196	7030005050	S.RESISTOR ERJ2GEJ 103 X (10 kΩ)
R197	7030005040	S.RESISTOR ERJ2GEJ 472 X (4.7 kΩ)
R198	7030005050	S.RESISTOR ERJ2GEJ 103 X (10 kΩ)
R199	7030005040	S.RESISTOR ERJ2GEJ 472 X (4.7 kΩ)
R200	7030005050	S.RESISTOR ERJ2GEJ 103 X (10 kΩ)
R201	7030007290	S.RESISTOR ERJ2GEJ 222 X (2.2 kΩ)
R202	7030005040	S.RESISTOR ERJ2GEJ 472 X (4.7 kΩ)
R203	7030005050	S.RESISTOR ERJ2GEJ 103 X (10 kΩ)
R206	7030004980	S.RESISTOR ERJ2GEJ 101 X (100 Ω)
R207	7030005220	S.RESISTOR ERJ2GEJ 223 X (22 kΩ)
R208	7030007340	S.RESISTOR ERJ2GEJ 153 X (15 kΩ)
R209	7030005230	S.RESISTOR ERJ2GEJ 334 X (330 kΩ)
R210	7030006610	S.RESISTOR ERJ2GEJ 394 X (390 kΩ)
R211	7030007570	S.RESISTOR ERJ2GEJ 122 X (1.2 kΩ)
R212	7030003830	S.RESISTOR ERJ3GEYJ 185 V (1.8 MΩ)
R215	7030005160	S.RESISTOR ERJ2GEJ 105 X (1 MΩ) [GS]
R216	7030005090	S.RESISTOR ERJ2GEJ 104 X (100 kΩ) [GT]
R217	7030005000	S.RESISTOR ERJ2GEJ 471 X (470 Ω)
R218	7030007350	S.RESISTOR ERJ2GEJ 393 X (39 kΩ)
R219	7030005050	S.RESISTOR ERJ2GEJ 103 X (10 kΩ)
R220	7030005090	S.RESISTOR ERJ2GEJ 104 X (100 kΩ)
R221	7030005060	S.RESISTOR ERJ2GEJ 333 X (33 kΩ)
R222	7030005090	S.RESISTOR ERJ2GEJ 104 X (100 kΩ)
R223	7410000580	S.ARRAY EXB-V4V 224JV (220 kΩ)
R224	7030005090	S.RESISTOR ERJ2GEJ 104 X (100 kΩ)
R225	7030005090	S.RESISTOR ERJ2GEJ 104 X (100 kΩ)
R226	7510001280	S.THERMISTOR NTCCM20124AG473J-T
R227	7030005090	S.RESISTOR ERJ2GEJ 104 X (100 kΩ)
R228	7030010080	S.RESISTOR ERJ2RHD 104 X (100 kΩ)
R229	7030010080	S.RESISTOR ERJ2RHD 104 X (100 kΩ)
R230	7030008010	S.RESISTOR ERJ2GEJ 123 X (12 kΩ)
R231	7030008010	S.RESISTOR ERJ2GEJ 123 X (12 kΩ)
R232	7030008010	S.RESISTOR ERJ2GEJ 123 X (12 kΩ)
R233	7030005090	S.RESISTOR ERJ2GEJ 104 X (100 kΩ)
R234	7030005050	S.RESISTOR ERJ2GEJ 103 X (10 kΩ)
R235	7030005120	S.RESISTOR ERJ2GEJ 102 X (1 kΩ)
R236	7410000950	S.ARRAY EXB-V8V 102JV
R237	7410000950	S.ARRAY EXB-V8V 102JV
R238	7410000950	S.ARRAY EXB-V8V 102JV
R239	7410000770	S.ARRAY EXB-V4V 102JV (1 kΩ)
R240	7410000770	S.ARRAY EXB-V4V 102JV (1 kΩ)
R241	7030005120	S.RESISTOR ERJ2GEJ 102 X (1 kΩ)
R242	7410000700	S.ARRAY EXB-V8V 105JV (1 MΩ)
R243	7410000900	S.ARRAY EXB-V4V 105JV (1 MΩ)
R244	7410000950	S.ARRAY EXB-V8V 102JV
R245	7410000770	S.ARRAY EXB-V4V 102JV (1 kΩ)
R246	7410000950	S.ARRAY EXB-V8V 102JV
R247	7410000950	S.ARRAY EXB-V8V 102JV
R248	7030005120	S.RESISTOR ERJ2GEJ 102 X (1 kΩ)
R249	7410000950	S.ARRAY EXB-V8V 102JV
R250	7410000770	S.ARRAY EXB-V4V 102JV (1 kΩ)
R251	7410000950	S.ARRAY EXB-V8V 102JV
R252	7410000950	S.ARRAY EXB-V8V 102JV
R253	7410000750	S.ARRAY EXB-V4V 104JV (100 kΩ)
R254	7030008300	S.RESISTOR ERJ2GEJ 184 X (180 kΩ)
R255	7030005090	S.RESISTOR ERJ2GEJ 104 X (100 kΩ)
R257	7030005220	S.RESISTOR ERJ2GEJ 223 X (22 kΩ)
R258	7030005220	S.RESISTOR ERJ2GEJ 223 X (22 kΩ)
R259	7030007350	S.RESISTOR ERJ2GEJ 393 X (39 kΩ)
R260	7030005240	S.RESISTOR ERJ2GEJ 473 X (47 kΩ)
R261	7030005240	S.RESISTOR ERJ2GEJ 473 X (47 kΩ)
R262	7030009290	S.RESISTOR ERJ2GEJ 562 X (5.6 kΩ)
R264	7030005000	S.RESISTOR ERJ2GEJ 471 X (470 Ω)
R266	7030005240	S.RESISTOR ERJ2GEJ 473 X (47 kΩ)
R267	7030005240	S.RESISTOR ERJ2GEJ 473 X (47 kΩ)
R268	7030004980	S.RESISTOR ERJ2GEJ 101 X (100 Ω)
R269	7030005310	S.RESISTOR ERJ2GEJ 124 X (120 kΩ)
R270	7030008290	S.RESISTOR ERJ2GEJ 183 X (18 kΩ)
R271	7030005110	S.RESISTOR ERJ2GEJ 224 X (220 kΩ)
R272	7030005070	S.RESISTOR ERJ2GEJ 683 X (68 kΩ)
R273	7030005220	S.RESISTOR ERJ2GEJ 223 X (22 kΩ)
R274	7030005220	S.RESISTOR ERJ2GEJ 223 X (22 kΩ)
R275	7030005220	S.RESISTOR ERJ2GEJ 223 X (22 kΩ)
R276	7030004970	S.RESISTOR ERJ2GEJ 470 X (47 kΩ)
R277	7030005800	S.RESISTOR RR0510P-102-D (1 kΩ)
R278	7030005120	S.RESISTOR ERJ2GEJ 102 X (1 kΩ)
R279	7030005120	S.RESISTOR ERJ2GEJ 102 X (1 kΩ)
R280	7030005120	S.RESISTOR ERJ2GEJ 102 X (1 kΩ)

[MAIN UNIT]

REF NO.	ORDER NO.	DESCRIPTION
R281	7030005600	S.RESISTOR ERJ2GEJ 273 X (27 kΩ)
R284	7030005120	S.RESISTOR ERJ2GEJ 102 X (1 kΩ)
R285	7030005050	S.RESISTOR ERJ2GEJ 103 X (10 kΩ)
R287	7030004980	S.RESISTOR ERJ2GEJ 101 X (100 Ω)
R288	7030005040	S.RESISTOR ERJ2GEJ 472 X (4.7 kΩ)
R289	7030005090	S.RESISTOR ERJ2GEJ 104 X (100 kΩ)
R291	7030005090	S.RESISTOR ERJ2GEJ 104 X (100 kΩ)
R292	7030009290	S.RESISTOR ERJ2GEJ 562 X (5.6 kΩ)
R293	7030005090	S.RESISTOR ERJ2GEJ 104 X (100 kΩ)
R294	7030005240	S.RESISTOR ERJ2GEJ 473 X (47 kΩ)
R295	7030005240	S.RESISTOR ERJ2GEJ 473 X (47 kΩ)
R296	7030005240	S.RESISTOR ERJ2GEJ 473 X (47 kΩ)
R297	7410000950	S.ARRAY EXB-V8V 102JV
R298	7030005090	S.RESISTOR ERJ2GEJ 104 X (100 kΩ)
R299	7030005120	S.RESISTOR ERJ2GEJ 102 X (1 kΩ)
R307	7030005090	S.RESISTOR ERJ2GEJ 104 X (100 kΩ)
R312	7030005220	S.RESISTOR ERJ2GEJ 223 X (22 kΩ)
R313	7030005060	S.RESISTOR ERJ2GEJ 333 X (33 kΩ)
R314	7030005060	S.RESISTOR ERJ2GEJ 333 X (33 kΩ)
R315	7030005060	S.RESISTOR ERJ2GEJ 333 X (33 kΩ)
R316	7030009140	S.RESISTOR ERJ2GEJ 272 X (2.7 kΩ)
R317	7030005170	S.RESISTOR ERJ2GEJ 474 X (470 kΩ)
R318	7030005060	S.RESISTOR ERJ2GEJ 333 X (33 kΩ)
R321	7030007290	S.RESISTOR ERJ2GEJ 222 X (2.2 kΩ)
R322	7410000710	S.ARRAY EXB-V8V 224JV (220 kΩ)
R323	7030005090	S.RESISTOR ERJ2GEJ 104 X (100 kΩ)
R324	7030005000	S.RESISTOR ERJ2GEJ 471 X (470 Ω)
R325	7030005820	S.RESISTOR RR0510P-103-D (10 kΩ)
R326	7030005120	S.RESISTOR ERJ2GEJ 102 X (1 kΩ)
R327	7030009280	S.RESISTOR ERJ2GE 391 X (390 Ω)
R328	7030009290	S.RESISTOR ERJ2GEJ 562 X (5.6 kΩ)
R329	7030005050	S.RESISTOR ERJ2GEJ 103 X (10 kΩ)
R330	7030009320	S.RESISTOR ERJ2GEJ 4R7 X (4.7 Ω)
R331	7030005170	S.RESISTOR ERJ2GEJ 474 X (470 kΩ)
R332	7030005090	S.RESISTOR ERJ2GEJ 104 X (100 kΩ)
R333	7030005090	S.RESISTOR ERJ2GEJ 104 X (100 kΩ)
R334	7030005050	S.RESISTOR ERJ2GEJ 103 X (10 kΩ)
R337	7030005120	S.RESISTOR ERJ2GEJ 102 X (1 kΩ)
R338	7030007570	S.RESISTOR ERJ2GEJ 122 X (1.2 kΩ)
R339	7030007570	S.RESISTOR ERJ2GEJ 122 X (1.2 kΩ)
R340	7030007570	S.RESISTOR ERJ2GEJ 122 X (1.2 kΩ)
R342	7030009320	S.RESISTOR ERJ2GEJ 4R7 X (4.7 Ω)
R343	7030007570	S.RESISTOR ERJ2GEJ 122 X (1.2 kΩ)
R346	7030007570	S.RESISTOR ERJ2GEJ 122 X (1.2 kΩ)
R348	7030007570	S.RESISTOR ERJ2GEJ 122 X (1.2 kΩ)
R349	7030007570	S.RESISTOR ERJ2GEJ 122 X (1.2 kΩ)
R350	7030007570	S.RESISTOR ERJ2GEJ 122 X (1.2 kΩ)
R357	7030005120	S.RESISTOR ERJ2GEJ 102 X (1 kΩ)
R358	7030005120	S.RESISTOR ERJ2GEJ 102 X (1 kΩ)
R359	7030005120	S.RESISTOR ERJ2GEJ 102 X (1 kΩ)
R360	7030005120	S.RESISTOR ERJ2GEJ 102 X (1 kΩ)
R362	7030005050	S.RESISTOR ERJ2GEJ 103 X (10 kΩ)
R363	7030005090	S.RESISTOR ERJ2GEJ 104 X (100 kΩ)
R364	7030005090	S.RESISTOR ERJ2GEJ 104 X (100 kΩ)
R365	7030007350	S.RESISTOR ERJ2GEJ 393 X (39 kΩ)
R366	7030005080	S.RESISTOR ERJ2GEJ 823 X (82 kΩ)
R367	7030005030	S.RESISTOR ERJ2GEJ 152 X (1.5 kΩ)
R368	7030006610	S.RESISTOR ERJ2GEJ 394 X (390 kΩ)
R369	7030008300	S.RESISTOR ERJ2GEJ 184 X (180 kΩ)
R370	7030005240	S.RESISTOR ERJ2GEJ 473 X (47 kΩ)
R371	7030005220	S.RESISTOR ERJ2GEJ 223 X (22 kΩ)
R372	7030005060	S.RESISTOR ERJ2GEJ 333 X (33 kΩ)
R373	7030005040	S.RESISTOR ERJ2GEJ 472 X (4.7 kΩ)
R374	7030005240	S.RESISTOR ERJ2GEJ 473 X (47 kΩ)
R375	7030005040	S.RESISTOR ERJ2GEJ 472 X (4.7 kΩ)
R376	7030008410	S.RESISTOR ERJ2GEJ 392 X (3.9 kΩ)
R377	7030005170	S.RESISTOR ERJ2GEJ 474 X (470 kΩ)
R379	7030005170	S.RESISTOR ERJ2GEJ 474 X (470 kΩ)
R380	7030005120	S.RESISTOR ERJ2GEJ 102 X (1 kΩ)
R381	7030008370	S.RESISTOR ERJ2GEJ 561 X (560 Ω)
R382	7030008010	S.RESISTOR ERJ2GEJ 123 X (12 kΩ)
R383	7030005030	S.RESISTOR ERJ2GEJ 152 X (1.5 kΩ)
R384	7030004990	S.RESISTOR ERJ2GEJ 221 X (220 Ω)
R385	7030004980	S.RESISTOR ERJ2GEJ 101 X (100 Ω)
R388	7030005240	S.RESISTOR ERJ2GEJ 473 X (47 kΩ)
R389	7030005240	S.RESISTOR ERJ2GEJ 473 X (47 kΩ)
R390	7030005090	S.RESISTOR ERJ2GEJ 104 X (100 kΩ)
R391	7030005160	S.RESISTOR ERJ2GEJ 105 X (1 MΩ)
R392	7030009290	S.RESISTOR ERJ2GEJ 562 X (5.6 kΩ)
R393	7030005170	S.RESISTOR ERJ2GEJ 474 X (470 kΩ)
R394	7030005310	S.RESISTOR ERJ2GEJ 124 X (120 kΩ) [F30G]
	7030005060	S.RESISTOR ERJ2GEJ 333 X (33 kΩ) [F31G]

[GT]: IC-F30GT-L/F31GT-L, [GS]: IC-F30GS-L/F31GS-L

[F30G]: IC-F30GT-L/F30GS-L, [F31G]: IC-F31GT-L/F31GS-L

S.=Surface mount

[MAIN UNIT]

REF NO.	ORDER NO.	DESCRIPTION	
R395	7030008370	S.RESISTOR	ERJ2GEJ 561 X (560 Ω)
R396	7030005030	S.RESISTOR	ERJ2GEJ 152 X (1.5 kΩ)
R397	7030005240	S.RESISTOR	ERJ2GEJ 473 X (47 kΩ) [F30G]
	7030005080	S.RESISTOR	ERJ2GEJ 823 X (82 kΩ) [F31G]
C1	4030007100	S.CERAMIC	C1608 CH 1H 560J-T-A
C2	4030007090	S.CERAMIC	C1608 CH 1H 470J-T-A
C3	4030007020	S.CERAMIC	C1608 CH 1H 120J-T-A
C4	4030016950	S.CERAMIC	ECJ0EB1A473K
C5	4030016790	S.CERAMIC	ECJ0EB1C103K
C6	4030017460	S.CERAMIC	ECJ0EB1E102K
C7	4030016790	S.CERAMIC	ECJ0EB1C103K
C8	4030016950	S.CERAMIC	ECJ0EB1A473K
C9	4030007060	S.CERAMIC	C1608 CH 1H 270J-T-A
C10	4030016790	S.CERAMIC	ECJ0EB1C103K
C11	4030016790	S.CERAMIC	ECJ0EB1C103K
C14	4030007050	S.CERAMIC	C1608 CH 1H 220J-T-A
C16	4030008680	S.CERAMIC	C2012 JF 1C 105Z-T-A
C17	4030016790	S.CERAMIC	ECJ0EB1C103K
C18	4030016790	S.CERAMIC	ECJ0EB1C103K
C20	4030016930	S.CERAMIC	ECJ0EB1A104K
C21	4030016790	S.CERAMIC	ECJ0EB1C103K
C23	4550006210	S.TANTALUM	ECST1CX106R
C24	4030016790	S.CERAMIC	ECJ0EB1C103K
C27	4030016790	S.CERAMIC	ECJ0EB1C103K
C28	4030017680	S.CERAMIC	ECJ0EC1H820J
C29	4030016790	S.CERAMIC	ECJ0EB1C103K
C38	4030016790	S.CERAMIC	ECJ0EB1C103K
C39	4030017440	S.CERAMIC	ECJ0EC1H221J
C40	4030016790	S.CERAMIC	ECJ0EB1C103K
C42	4030016790	S.CERAMIC	ECJ0EB1C103K
C43	4030016790	S.CERAMIC	ECJ0EB1C103K
C44	4030017420	S.CERAMIC	ECJ0EC1H470J
C46	4030016950	S.CERAMIC	ECJ0EB1A473K
C47	4030016950	S.CERAMIC	ECJ0EB1A473K
C48	4030016950	S.CERAMIC	ECJ0EB1A473K
C49	4030016950	S.CERAMIC	ECJ0EB1A473K
C50	4030017620	S.CERAMIC	ECJ0EC1H100C
C51	4030016950	S.CERAMIC	ECJ0EB1A473K
C52	4030016950	S.CERAMIC	ECJ0EB1A473K
C53	4030017460	S.CERAMIC	ECJ0EB1E102K
C54	4030017730	S.CERAMIC	ECJ0EB1E471K
C55	4030016790	S.CERAMIC	ECJ0EB1C103K
C56	4030017340	S.CERAMIC	ECJ0EC1H010B
C57	4030017650	S.CERAMIC	ECJ0EC1H270J
C58	4030017650	S.CERAMIC	ECJ0EC1H270J
C59	4030017400	S.CERAMIC	ECJ0EC1H220J
C62	4550006700	S.TANTALUM	ECST1AY106R
C63	4550006700	S.TANTALUM	ECST1AY106R
C64	4030016790	S.CERAMIC	ECJ0EB1C103K
C65	4030017730	S.CERAMIC	ECJ0EB1E471K
C66	4030017340	S.CERAMIC	ECJ0EC1H010B
C67	4030017650	S.CERAMIC	ECJ0EC1H270J
C68	4030017400	S.CERAMIC	ECJ0EC1H220J
C69	4030017660	S.CERAMIC	ECJ0EC1H330J
C71	4030017340	S.CERAMIC	ECJ0EC1H010B
C73	4030017460	S.CERAMIC	ECJ0EB1E102K
C74	4550000530	S.TANTALUM	TESVA 1V 104M1-8L
C76	4030016950	S.CERAMIC	ECJ0EB1A473K
C77	4550006160	S.TANTALUM	ECST1CY155R
C78	4030017460	S.CERAMIC	ECJ0EB1E102K
C79	4030016930	S.CERAMIC	ECJ0EB1A104K
C80	4030016930	S.CERAMIC	ECJ0EB1A104K
C82	4030017620	S.CERAMIC	ECJ0EC1H100C
C83	4030016790	S.CERAMIC	ECJ0EB1C103K
C84	4030017640	S.CERAMIC	ECJ0EC1H150J
C85	4030017560	S.CERAMIC	ECJ0EC1H2R5B
C86	4030017590	S.CERAMIC	ECJ0EC1H070C
C87	4030017560	S.CERAMIC	ECJ0EC1H2R5B
C88	4030017460	S.CERAMIC	ECJ0EB1E102K
C89	4030017650	S.CERAMIC	ECJ0EC1H270J
C90	4030017650	S.CERAMIC	ECJ0EC1H270J
C91	4030016930	S.CERAMIC	ECJ0EB1A104K
C100	4030016790	S.CERAMIC	ECJ0EB1C103K
C101	4030016790	S.CERAMIC	ECJ0EB1C103K
C102	4030017420	S.CERAMIC	ECJ0EC1H470J
C103	4030017430	S.CERAMIC	ECJ0EC1H101J
C104	4030017430	S.CERAMIC	ECJ0EC1H101J
C106	4030017460	S.CERAMIC	ECJ0EB1E102K
C107	4030016790	S.CERAMIC	ECJ0EB1C103K
C108	4030017460	S.CERAMIC	ECJ0EB1E102K

[MAIN UNIT]

REF NO.	ORDER NO.	DESCRIPTION	
C109	4030016930	S.CERAMIC	ECJ0EB1A104K
C110	4030016930	S.CERAMIC	ECJ0EB1A104K
C111	4030017440	S.CERAMIC	ECJ0EC1H221J
C112	4030017440	S.CERAMIC	ECJ0EC1H221J
C113	4030016790	S.CERAMIC	ECJ0EB1C103K
C114	4030016930	S.CERAMIC	ECJ0EB1A104K
C115	4030016790	S.CERAMIC	ECJ0EB1C103K
C116	4030017730	S.CERAMIC	ECJ0EB1E471K
C117	4030017460	S.CERAMIC	ECJ0EB1E102K
C118	4030017460	S.CERAMIC	ECJ0EB1E102K
C119	4030017460	S.CERAMIC	ECJ0EB1E102K
C121	4030016930	S.CERAMIC	ECJ0EB1A104K
C123	4030017510	S.CERAMIC	ECJ0EC1H680J
C124	4550006700	S.TANTALUM	ECST1AY106R
C125	4030017460	S.CERAMIC	ECJ0EB1E102K
C126	4030016790	S.CERAMIC	ECJ0EB1C103K
C127	4550006160	S.TANTALUM	ECST1CY155R
C128	4030017630	S.CERAMIC	ECJ0EC1H120J
C129	4030017560	S.CERAMIC	ECJ0EC1H2R5B
C130	4030016790	S.CERAMIC	ECJ0EB1C103K
C131	4030017660	S.CERAMIC	ECJ0EC1H330J
C132	4030016790	S.CERAMIC	ECJ0EB1C103K
C133	4030016790	S.CERAMIC	ECJ0EB1C103K
C134	4030016790	S.CERAMIC	ECJ0EB1C103K
C135	4030017420	S.CERAMIC	ECJ0EC1H470J
C137	4030017600	S.CERAMIC	ECJ0EC1H080C
C138	4030017440	S.CERAMIC	ECJ0EC1H221J
C139	4030016790	S.CERAMIC	ECJ0EB1C103K
C140	4030017560	S.CERAMIC	ECJ0EC1H2R5B
C141	4030017440	S.CERAMIC	ECJ0EC1H221J
C142	4030016790	S.CERAMIC	ECJ0EB1C103K
C143	4550006540	S.TANTALUM	ECST1CY475R
C144	4030017380	S.CERAMIC	ECJ0EC1H050B
C145	4030017550	S.CERAMIC	ECJ0EC1H1R5B
C146	4030017430	S.CERAMIC	ECJ0EB1H101J
C147	4030016790	S.CERAMIC	ECJ0EB1C103K
C148	4030016790	S.CERAMIC	ECJ0EB1C103K
C149	4030016790	S.CERAMIC	ECJ0EB1C103K
C151	4030016790	S.CERAMIC	ECJ0EB1C103K
C152	4030017570	S.CERAMIC	ECJ0EC1H040B
C154	4030017460	S.CERAMIC	ECJ0EB1E102K
C155	4030016790	S.CERAMIC	ECJ0EB1C103K
C156	4030017640	S.CERAMIC	ECJ0EC1H150J
C158	4030016790	S.CERAMIC	ECJ0EB1C103K
C160	4030017350	S.CERAMIC	ECJ0EC1H020B
C161	4030017430	S.CERAMIC	ECJ0EC1H101J
C162	4030016790	S.CERAMIC	ECJ0EB1C103K
C163	4030017630	S.CERAMIC	ECJ0EC1H120J
C167	4030017640	S.CERAMIC	ECJ0EB1H150J
C168	4030017650	S.CERAMIC	ECJ0EC1H270J
C169	4030017500	S.CERAMIC	ECJ0EC1H560J
C170	4030007070	S.CERAMIC	C1608 CH 1H 330J-T-A
C171	4030016790	S.CERAMIC	ECJ0EB1C103K
C172	4550006540	S.TANTALUM	ECST1CY475R
C173	4030016790	S.CERAMIC	ECJ0EB1C103K
C174	4030017460	S.CERAMIC	ECJ0EB1E102K
C175	4030016930	S.CERAMIC	ECJ0EB1A104K
C177	4030016790	S.CERAMIC	ECJ0EB1C103K
C178	4550006670	S.TANTALUM	ECST1AD107R
C179	4030016950	S.CERAMIC	ECJ0EB1A473K
C180	4030017420	S.CERAMIC	ECJ0EC1H470J
C181	4550006700	S.TANTALUM	ECST1AY106R
C182	4030016960	S.CERAMIC	ECJ0EB1C183K
C183	4030017460	S.CERAMIC	ECJ0EB1E102K
C184	4550006210	S.TANTALUM	ECST1CX106R
C185	4030016930	S.CERAMIC	ECJ0EB1A104K
C186	4030016930	S.CERAMIC	ECJ0EB1A104K
C188	4030017460	S.CERAMIC	ECJ0EB1E102K
C189	4030017460	S.CERAMIC	ECJ0EB1E102K
C192	4030017780	S.CERAMIC	ECJ0EB1E472K
C193	4550006620	S.TANTALUM	ECST0JY226R
C194	4030017780	S.CERAMIC	ECJ0EB1E472K
C195	4030017730	S.CERAMIC	ECJ0EB1E471K
C197	4030016790	S.CERAMIC	ECJ0EB1C103K
C198	4030017780	S.CERAMIC	ECJ0EB1E472K
C199	4030017690	S.CERAMIC	ECJ0EC1H121J
C200	4030017500	S.CERAMIC	ECJ0EC1H560J
C202	4030017450	S.CERAMIC	ECJ0EB1E271K
C203	4030017760	S.CERAMIC	ECJ0EB1H222K
C205	4550000530	S.TANTALUM	TESVA 1V 104M1-8L
C206	4030016930	S.CERAMIC	ECJ0EB1A104K
C207	4030016930	S.CERAMIC	ECJ0EB1A104K

[GT]: IC-F30GT-L/F31GT-L, [GS]: IC-F30GS-L/F31GS-L
 [F30G]: IC-F30GT-L/F30GS-L, [F31G]: IC-F31GT-L/F31GS-L

S.=Surface mount

[MAIN UNIT]

REF NO.	ORDER NO.	DESCRIPTION
C208	4550006320	S.TANTALUM ECST0JY475R
C213	4550006320	S.TANTALUM ECST0JY475R
C214	4550000530	S.TANTALUM TESVA 1V 104M1-8L
C215	4030016930	S.CERAMIC ECJ0EB1A104K
C216	4030016950	S.CERAMIC ECJ0EB1A473K
C217	4030016930	S.CERAMIC ECJ0EB1A104K
C218	4030017780	S.CERAMIC ECJ0EB1E472K
C219	4030017690	S.CERAMIC ECJ0EC1H121J
C224	4030016930	S.CERAMIC ECJ0EB1A104K
C225	4030016950	S.CERAMIC ECJ0EB1A473K
C226	4030016950	S.CERAMIC ECJ0EB1A473K
C227	4030016950	S.CERAMIC ECJ0EB1A473K
C230	4550006700	S.TANTALUM ECST1AY106R
C231	4030017780	S.CERAMIC ECJ0EB1E472K
C232	4030017760	S.CERAMIC ECJ0EB1H222K
C233	4030016930	S.CERAMIC ECJ0EB1A104K
C234	4030017460	S.CERAMIC ECJ0EB1E102K
C235	4550006620	S.TANTALUM ECST0JY226R
C236	4550006620	S.TANTALUM ECST0JY226R
C237	4550006620	S.TANTALUM ECST0JY226R
C238	4550006620	S.TANTALUM ECST0JY226R
C239	4030016790	S.CERAMIC ECJ0EB1C103K
C240	4030016790	S.CERAMIC ECJ0EB1C103K
C241	4030016790	S.CERAMIC ECJ0EB1C103K
C242	4550006150	S.TANTALUM ECST1CY105R
C243	4550006950	S.TANTALUM ECST0JX476R
C244	4030017460	S.CERAMIC ECJ0EB1E102K
C246	4030017460	S.CERAMIC ECJ0EB1E102K
C247	4550006210	S.TANTALUM ECST1CX106R
C248	4030016960	S.CERAMIC ECJ0EB1C183K
C249	4030016960	S.CERAMIC ECJ0EB1C183K
C250	4030017730	S.CERAMIC ECJ0EB1E471K
C251	4550006320	S.TANTALUM ECST0JY475R
C252	4030017730	S.CERAMIC ECJ0EB1E471K
C253	4030017460	S.CERAMIC ECJ0EB1E102K
C254	4030017490	S.CERAMIC C1608 JB 1A 105K-T-N
C257	4030016930	S.CERAMIC ECJ0EB1A104K
C258	4030016930	S.CERAMIC ECJ0EB1A104K
C259	4030016790	S.CERAMIC ECJ0EB1C103K
C260	4030017460	S.CERAMIC ECJ0EB1E102K
C261	4030016930	S.CERAMIC ECJ0EB1A104K
C262	4030016790	S.CERAMIC ECJ0EB1C103K
C264	4550006950	S.TANTALUM ECST0JX476R
C265	4550006950	S.TANTALUM ECST0JX476R
C266	4030017730	S.CERAMIC ECJ0EB1E471K
C268	4030016930	S.CERAMIC ECJ0EB1A104K
C271	4030017030	S.CERAMIC ECJ0EB1A273K
C272	4030017460	S.CERAMIC ECJ0EB1E102K
C273	4030017420	S.CERAMIC ECJ0EC1H470J
C275	4030016790	S.CERAMIC ECJ0EB1C103K
C276	4030017400	S.CERAMIC ECJ0EC1H220J
C277	4030017590	S.CERAMIC ECJ0EC1H070C
C278	4030016790	S.CERAMIC ECJ0EB1C103K
C279	4030016790	S.CERAMIC ECJ0EB1C103K
C280	4030017660	S.CERAMIC ECJ0EC1H330J
C282	4030016790	S.CERAMIC ECJ0EB1C103K
C283	4030017420	S.CERAMIC ECJ0EC1H470J
C284	4030017420	S.CERAMIC ECJ0EC1H470J
C285	4030017420	S.CERAMIC ECJ0EC1H470J
C287	4030017420	S.CERAMIC ECJ0EC1H470J
C288	4030017420	S.CERAMIC ECJ0EC1H470J
C289	4030017420	S.CERAMIC ECJ0EC1H470J
C291	4030017420	S.CERAMIC ECJ0EC1H470J
C292	4030017420	S.CERAMIC ECJ0EC1H470J
C293	4030017420	S.CERAMIC ECJ0EC1H470J
C294	4030017420	S.CERAMIC ECJ0EC1H470J
C295	4030017420	S.CERAMIC ECJ0EC1H470J
C296	4030017420	S.CERAMIC ECJ0EC1H470J
C297	4030017420	S.CERAMIC ECJ0EC1H470J
C298	4030017420	S.CERAMIC ECJ0EC1H470J
C300	4030016790	S.CERAMIC ECJ0EB1C103K
C304	4030017420	S.CERAMIC ECJ0EC1H470J
C305	4030017420	S.CERAMIC ECJ0EC1H470J
C306	4030016930	S.CERAMIC ECJ0EB1A104K
C307	4030017420	S.CERAMIC ECJ0EC1H470J
C309	4030017420	S.CERAMIC ECJ0EC1H470J
C310	4030017420	S.CERAMIC ECJ0EC1H470J
C311	4030016790	S.CERAMIC ECJ0EB1C103K
C312	4030016790	S.CERAMIC ECJ0EB1C103K
C313	4030016790	S.CERAMIC ECJ0EB1C103K
C314	4030017420	S.CERAMIC ECJ0EC1H470J
C315	4030016790	S.CERAMIC ECJ0EB1C103K

[MAIN UNIT]

REF NO.	ORDER NO.	DESCRIPTION
C316	4030016790	S.CERAMIC ECJ0EB1C103K
C317	4030016790	S.CERAMIC ECJ0EB1C103K
C319	4030017420	S.CERAMIC ECJ0EC1H470J
C320	4030017420	S.CERAMIC ECJ0EC1H470J
C321	4030017420	S.CERAMIC ECJ0EC1H470J
C322	4030017420	S.CERAMIC ECJ0EC1H470J
C323	4030017420	S.CERAMIC ECJ0EC1H470J
C324	4030017420	S.CERAMIC ECJ0EC1H470J
C325	4030017420	S.CERAMIC ECJ0EC1H470J
C326	4030017420	S.CERAMIC ECJ0EC1H470J
C327	4030017420	S.CERAMIC ECJ0EC1H470J
C328	4030017420	S.CERAMIC ECJ0EC1H470J
C329	4030017420	S.CERAMIC ECJ0EC1H470J
C330	4030016930	S.CERAMIC ECJ0EB1A104K
C331	4030017420	S.CERAMIC ECJ0EC1H470J
C332	4030016790	S.CERAMIC ECJ0EB1C103K
C333	4030017420	S.CERAMIC ECJ0EC1H470J
C334	4030017420	S.CERAMIC ECJ0EC1H470J
C335	4030017420	S.CERAMIC ECJ0EC1H470J
C336	4030017420	S.CERAMIC ECJ0EC1H470J
C338	4030017420	S.CERAMIC ECJ0EC1H470J
C340	4030017420	S.CERAMIC ECJ0EC1H470J
C341	4030016960	S.CERAMIC ECJ0EB1C183K
C342	4030016930	S.CERAMIC ECJ0EB1A104K
C343	4030017740	S.CERAMIC ECJ0EB1E821K
C344	4030017770	S.CERAMIC ECJ0EB1E332K
C345	4030016790	S.CERAMIC ECJ0EB1C103K
C346	4030017770	S.CERAMIC ECJ0EB1E332K
C347	4030016930	S.CERAMIC ECJ0EB1A104K
C348	4030016930	S.CERAMIC ECJ0EB1A104K
C349	4030017790	S.CERAMIC ECJ0EB1E682K
C350	4030016790	S.CERAMIC ECJ0EB1C103K
C351	4030016930	S.CERAMIC ECJ0EB1A104K
C352	4030016940	S.CERAMIC ECJ0EB1A393K
C353	4030017460	S.CERAMIC ECJ0EB1E102K
C354	4030017460	S.CERAMIC ECJ0EB1E102K
C355	4030017460	S.CERAMIC ECJ0EB1E102K
C356	4030017460	S.CERAMIC ECJ0EB1E102K
C357	4550006770	S.TANTALUM TEMSVD2 1C 476M-12R
C358	4030016790	S.CERAMIC ECJ0EB1C103K
C359	4030017460	S.CERAMIC ECJ0EB1E102K
C360	4030017490	S.CERAMIC C1608 JB 1A 105K-T-N
C361	4030017620	S.CERAMIC ECJ0EC1H100C
C362	4030017750	S.CERAMIC ECJ0EB1E122K
C364	4030017420	S.CERAMIC ECJ0EC1H470J
C365	4030016790	S.CERAMIC ECJ0EB1C103K
C366	4030016790	S.CERAMIC ECJ0EB1C103K
C367	4030016790	S.CERAMIC ECJ0EB1C103K
C369	4030017570	S.CERAMIC ECJ0EC1H040B
C371	4030017420	S.CERAMIC ECJ0EC1H470J
C372	4610001590	S.TRIMMER TZC03R100A110 10P
C373	4610001590	S.TRIMMER TZC03R100A110 10P
C375	4030016930	S.CERAMIC ECJ0EB1A104K
C377	4030016790	S.CERAMIC ECJ0EB1C103K
C378	4030016930	S.CERAMIC ECJ0EB1A104K
C379	4030016790	S.CERAMIC ECJ0EB1C103K
C380	4030016790	S.CERAMIC ECJ0EB1C103K
C381	4030016790	S.CERAMIC ECJ0EB1C103K
C382	4030016790	S.CERAMIC ECJ0EB1C103K
C383	4030016930	S.CERAMIC ECJ0EB1A104K
C384	4030017460	S.CERAMIC ECJ0EB1E102K
C385	4030016930	S.CERAMIC ECJ0EB1A104K
C393	4030017490	S.CERAMIC C1608 JB 1A 105K-T-N
C394	4030016960	S.CERAMIC ECJ0EB1C183K
C395	4030017510	S.CERAMIC ECJ0EC1H680J
C396	4030017490	S.CERAMIC C1608 JB 1A 105K-T-N
C397	4030017780	S.CERAMIC ECJ0EB1E472K
C398	4030017780	S.CERAMIC ECJ0EB1E472K
C399	4030017780	S.CERAMIC ECJ0EB1E472K
C400	4030017460	S.CERAMIC ECJ0EB1E102K
C401	4030016790	S.CERAMIC ECJ0EB1C103K
C402	4550006950	S.TANTALUM ECST0JX476R
C403	4030016950	S.CERAMIC ECJ0EB1A473K
C404	4030016790	S.CERAMIC ECJ0EB1C103K
C406	4030016970	S.CERAMIC ECJ0EB1C223K
C407	4030016930	S.CERAMIC ECJ0EB1A104K
C408	4030016930	S.CERAMIC ECJ0EB1A104K
C409	4030016930	S.CERAMIC ECJ0EB1A104K
C410	4030016930	S.CERAMIC ECJ0EB1A104K
C411	4550006320	S.TANTALUM ECST0JY475R
C412	4030017420	S.CERAMIC ECJ0EC1H470J
C414	4030016930	S.CERAMIC ECJ0EB1A104K

[GT]: IC-F30GT-L/F31GT-L, [GS]: IC-F30GS-L/F31GS-L

S.=Surface mount

[MAIN UNIT]

REF NO.	ORDER NO.	DESCRIPTION	
C415	4550006160	S.TANTALUM	ECST1CY155R
C416	4030016930	S.CERAMIC	ECJ0EB1A104K
C417	4030017370	S.CERAMIC	ECJ0EC1H3R5B
C419	4030007130	S.CERAMIC	C1608 CH 1H 101J-T-A
C420	4030007050	S.CERAMIC	C1608 CH 1H 220J-T-A
C421	4030017730	S.CERAMIC	ECJ0EB1E471K
C422	4030017460	S.CERAMIC	ECJ0EB1E102K
C423	4030017480	S.CERAMIC	C1608 JB 1A 474K-T-N
C425	4030016930	S.CERAMIC	ECJ0EB1A104K
C426	4030016930	S.CERAMIC	ECJ0EB1A104K
C427	4030017460	S.CERAMIC	ECJ0EB1E102K
C428	4030017420	S.CERAMIC	ECJ0EC1H470J
C429	4030017420	S.CERAMIC	ECJ0EC1H470J
C430	4030017730	S.CERAMIC	ECJ0EB1E471K
C432	4030016790	S.CERAMIC	ECJ0EB1C103K
C433	4030017420	S.CERAMIC	ECJ0EC1H470J
C434	4030016790	S.CERAMIC	ECJ0EB1C103K
C435	4030016790	S.CERAMIC	ECJ0EB1C103K
C436	4030016790	S.CERAMIC	ECJ0EB1C103K
C437	4030017420	S.CERAMIC	ECJ0EC1H470J
C438	4030016790	S.CERAMIC	ECJ0EB1C103K
C439	4030017260	S.CERAMIC	C2012 JB 0J 475KT-N
C443	4030017460	S.CERAMIC	ECJ0EB1E102K
C444	4030017720	S.CERAMIC	ECJ0EB1H331K
C445	4030016970	S.CERAMIC	ECJ0EB1C223K
C446	4030017740	S.CERAMIC	ECJ0EB1E821K
C447	4030017740	S.CERAMIC	ECJ0EB1E821K
C448	4030016950	S.CERAMIC	ECJ0EB1A473K
C449	4030016930	S.CERAMIC	ECJ0EB1A104K
C450	4030016930	S.CERAMIC	ECJ0EB1A104K
C451	4030016930	S.CERAMIC	ECJ0EB1A104K
C452	4030016930	S.CERAMIC	ECJ0EB1A104K
C453	4030017640	S.CERAMIC	ECJ0EC1H150J
C454	4030017390	S.CERAMIC	ECJ0EC1H180J
C455	4030016930	S.CERAMIC	ECJ0EB1A104K
C456	4030016930	S.CERAMIC	ECJ0EB1A104K
C458	4030017430	S.CERAMIC	ECJ0EC1H101J
C459	4030016790	S.CERAMIC	ECJ0EB1C103K
C474	4030007060	S.CERAMIC	C1608 CH 1H 270J-T-A
C475	4030007060	S.CERAMIC	C1608 CH 1H 270J-T-A
C476	4030009920	S.CERAMIC	C1608 CH 1H 050B-T-A
C477	4030017650	S.CERAMIC	ECJ0EC1H270J
C478	4030017650	S.CERAMIC	ECJ0EC1H270J
C479	4030017670	S.CERAMIC	ECJ0EC1H390J
C480	4030016790	S.CERAMIC	ECJ0EB1C103K
C481	4030016790	S.CERAMIC	ECJ0EB1C103K
C482	4030016790	S.CERAMIC	ECJ0EB1C103K
C483	4030016790	S.CERAMIC	ECJ0EB1C103K
C484	4030016790	S.CERAMIC	ECJ0EB1C103K
C485	4030016790	S.CERAMIC	ECJ0EB1C103K
C486	4030017260	S.CERAMIC	C2012 JB 0J 475KT-N
C487	4030016790	S.CERAMIC	ECJ0EB1C103K
C489	4030016790	S.CERAMIC	ECJ0EB1C103K
C490	4030017480	S.CERAMIC	C1608 JB 1A 474K-T-N
C492	4030016790	S.CERAMIC	ECJ0EB1C103K
C493	4030016790	S.CERAMIC	ECJ0EB1C103K
C494	4030016930	S.CERAMIC	ECJ0EB1A104K
C495	4030017490	S.CERAMIC	C1608 JB 1A 105K-T-N
C496	4030016930	S.CERAMIC	ECJ0EB1A104K
J1	6510018430	S.CONNECTOR	AXN330C038P
J2	6510018430	S.CONNECTOR	AXN330C038P
J3	6510022360	S.CONNECTOR	26FLZ-SM1-TB
S1	2250000180	ENCODER	EC10SP16-47
F1	5210000710	S.FUSE	KAB 2402 322 NA29
W2	7030010040	S.JUMPER	ERJ2GE-JPW
W3	7030010040	S.JUMPER	ERJ2GE-JPW
W5	8900009790	CABLE	OPC-972
W11	7030010040	S.JUMPER	ERJ2GE-JPW
EP1	0910054003	PCB	B 5673C

[GT]: IC-F30GT-L/F31GT-L,
 [GS]: IC-F30GS-L/F31GS-L

S.=Surface mount

SECTION 7 MECHANICAL PARTS AND DISASSEMBLY

[CHASSIS PARTS]

REF NO.	ORDER NO.	DESCRIPTION	QTY.
MP1	8210017211	2337 front panel-1 assembly [GT]	1
	8210017350	2337 S-front panel assembly [GS]	1
MP2	8310049450	2337 window plate	1
MP4	8930052850	2337 release button	1
MP5	8930052970	2337 PTT plate	1
MP8	8210017100	2337 rear panel	1
MP9	8210017080	2337 reflector	1
MP10	8930052981	2337 switch plate-1	1
MP11	8210017071	2337 C-panel-1	1
MP12	8010018251	2337 chassis-1	1
MP13	8930052640	2337 key board [GT]	1
	8930053170	2337 4-key [GS]	1
MP14	8930053650	2336 main seal	1
MP16	8930052840	2337 T-rubber	1
MP17	8930054540	2336 top key	1
MP18	8930052991	2337 terminal-1	1
MP19	8610010910	Knob N281	1
MP20	8610010920	Knob N282	1
MP21	8510013161	2337 main shield-1	1
MP22	8930053670	2337 side plate	1
MP23	8930053000	2337 window sheet	1
MP24	8610007510	Knob spring No.7800	1
MP25	8510013480	2336 PA shield	1
MP26	8830001480	VR nut (O)	1
MP29	8930053210	2337 microphone sheet	1
MP32	8830001500	2337 nut	1
MP33	8830001511	Nut (I)-1	1
MP34	8810009220	Screw PH B0 M2 × 8 ZK (BT)	2
MP35	8930042080	1922 minus terminal	1
MP36	8610007920	LECTRA spring #1500	1
MP37	8950004420	1652 9-pin connector	1
MP40	8810008970	Screw FH BT No.0 M2 × 3.5 NI-ZU	6
MP41	8810009180	Screw FH BT No.0 M2 × 5 NI-ZU	1
MP43	8210017090	2337 terminal holder	1
MP44	8950005310	Antenna connector-103	1
MP49	8510013220	2337 antenna plate	1
MP50	8930053440	2337 A-PTT plate	1
MP51	8930053431	Sponge (GP)-1	2
MP52	8810000100	Screw PH M2 x 4 ZK	2
MP53	8930053630	Seal O-ring (AH)	1
MP54	8930053680	Spring (AG)	1
MP55	8810004890	Screw PH No.0 M2 × 6 ZK	2
MP56	8810005360	Screw PH No.0 M2 × 3 ZK	8
MP57	8810009560	Screw PH BT M2 × 6 ZK	2
MP58	8810005700	Screw PH No.0 M2 × 4 ZK	3
MP59	8810009510	Screw PH BT M2 × 4 NI-ZU	8
MP60	8930053180	2337 microphone seal [GS] only	1
MP61	8930053660	2337 side seal	1
MP62	8810003700	ICOM screw B4	1
MP63	8930053880	2337 key sheet [GT]	1
	8930054010	2337 4-key sheet [GS]	1
MP64	8930051781	Insulation sheet GA-1	1
MP65	8930053890	2337 T-K sheet	1
MP66	8850001890	Sealing washer (X1)	1

[GT]: IC-F30GT-L/F31GT-L
 [GS]: IC-F30GS-L/F31GS-L

[FRONT UNIT]

REF NO.	ORDER NO.	DESCRIPTION	QTY.
DS10	5030001870	LCD EDMUD1FA0	1
SP1	2510001060	Speaker K036NA500-47	
MC1	7700002310	Microphone EM-140	1
W1	7120000470	Jumper ERDS2T0	2
MP1	8510013230	2337 LOGIC shield	1
MP2	8930053320	2337 LOGIC spring	1
MP3	8930034250	Sponge (DS)	1

[MAIN UNIT]

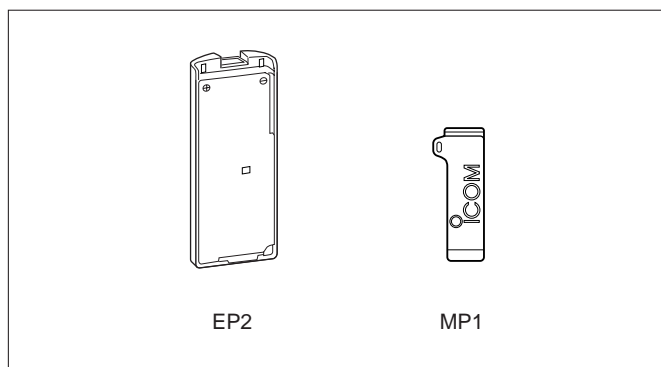
REF NO.	ORDER NO.	DESCRIPTION	QTY.
W5	8950009790	Cable OPC-972	1
MP1	8510013000	2336 VCO case	1
MP2	8510011180	1923 VCO cover	1
MP3	8410002370	2337 PA heat sink (using Q1:2SK2974)	1
MP6	8950005330	2337 9-pin base	1
MP7	8950005320	2337 contact	1

Screw abbreviations

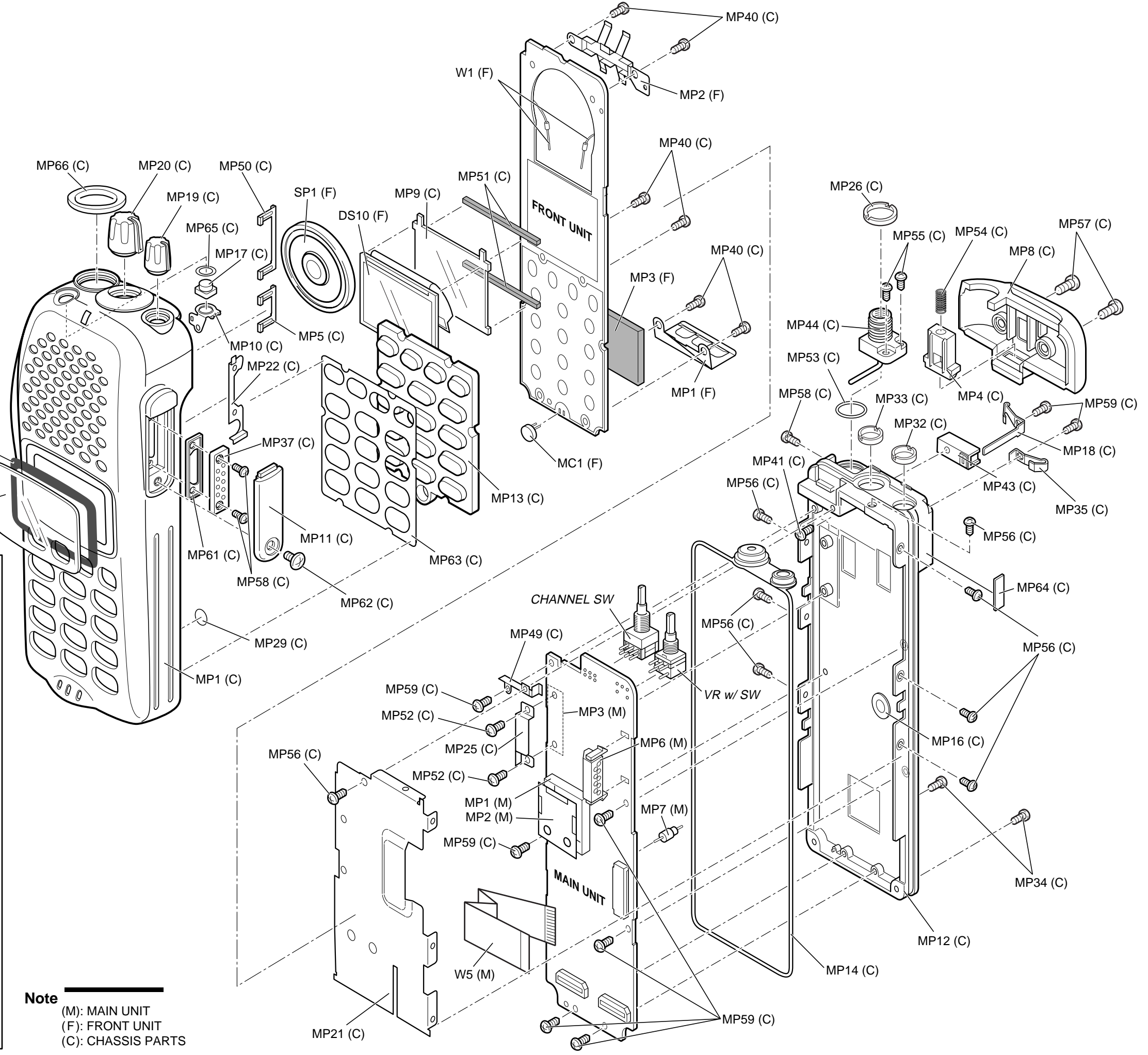
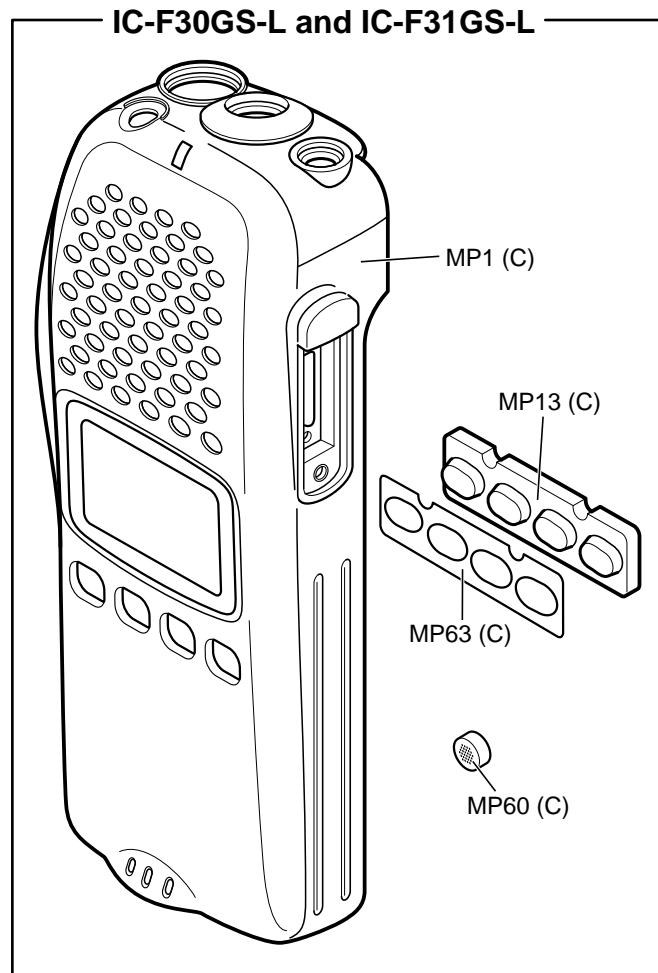
B0, BT: Self-tapping PH: Pan head FH: Flat head
 NI-ZU: Nickel-Zinc ZK: Black

[ACCESSORIES]

REF NO.	ORDER NO.	DESCRIPTION	QTY.
EP2	Optional products	Battery BP-210	1
MP1	Optional products	1922 belt clip	1



IC-F30GT-L and IC-F31GT-L parts



Note
 (M): MAIN UNIT
 (F): FRONT UNIT
 (C): CHASSIS PARTS

SECTION 8 SEMI-CONDUCTOR INFORMATION

8 - 1 TRANSISTORS AND FETS

NAME	SYMBOL	INSIDE VIEW
2SA1362 GR	AEG	
2SB1132 R	BARB	
2SC4081 R 2SC4116 BL 2SC4213 B 2SC4215 O 2SC4226 R25	BR LL AB QO R25	
2SK880-Y	XY	
2SK1829	K1	
2SK2973	K1	
2SK2974	K2974	

NAME	SYMBOL	INSIDE VIEW
3SK177-T1B 3SK293	U72 UF	
CPH3403-TL	KD	
DTA144EUA	16	
DTC144TE TL	06	
UMD6N	D6	
UN911H	6P	
XP1214	9H	

NAME	SYMBOL	INSIDE VIEW
XP6501 AB	5N	

8 - 2 DIODES

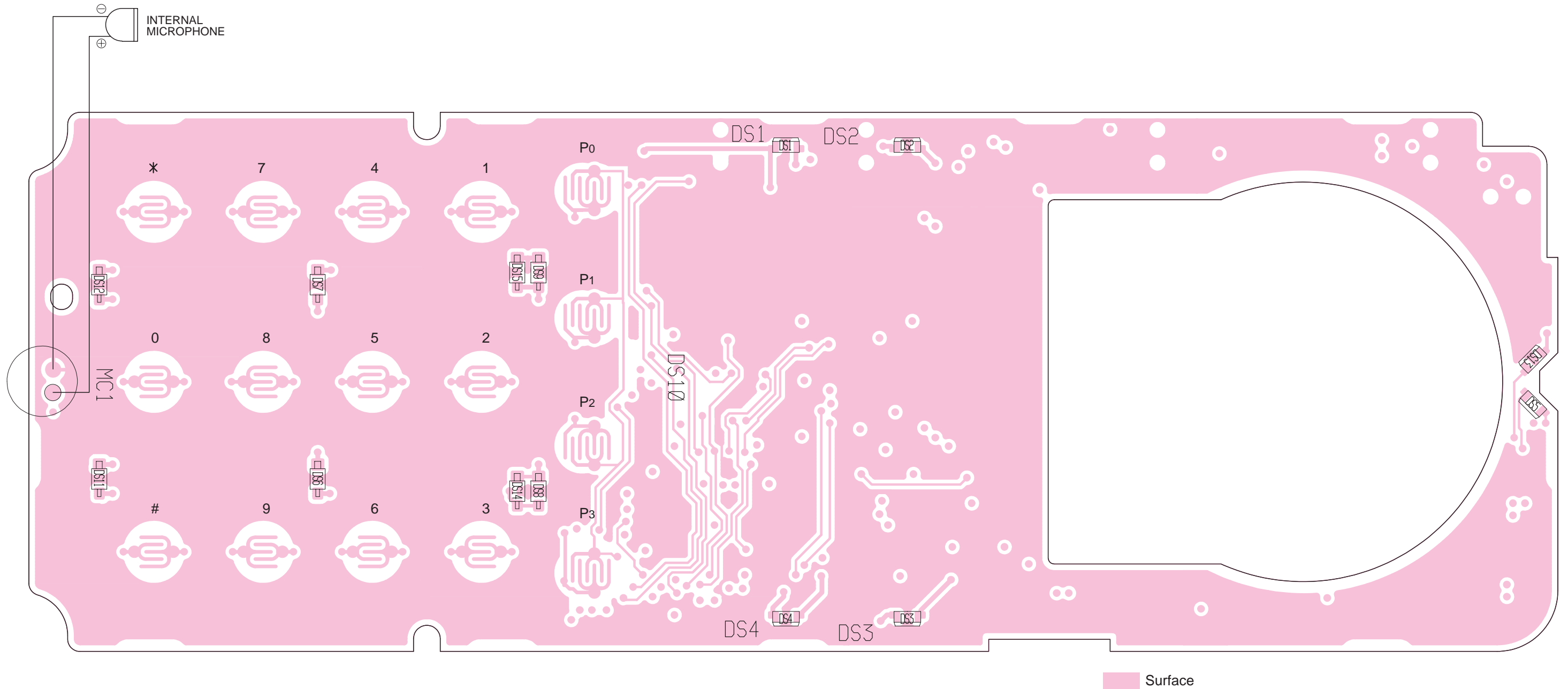
NAME	SYMBOL	INSIDE VIEW
1SS355	A	
1SV239 1SV308 1SV324 HSU88TRF MA2S077 MA2S111 MA8030-H MA8062-M	TC TX V8 9 S A 3^0 6-2	
HVC376BTRF	B9	
1SS375 MA742 RB706F-40T	FH M1U 3J	
DAN202U	N	
MA6S121	M2D	

SECTION 9 BOARD LAYOUTS

9 - 1 FRONT UNIT

• TOP VIEW

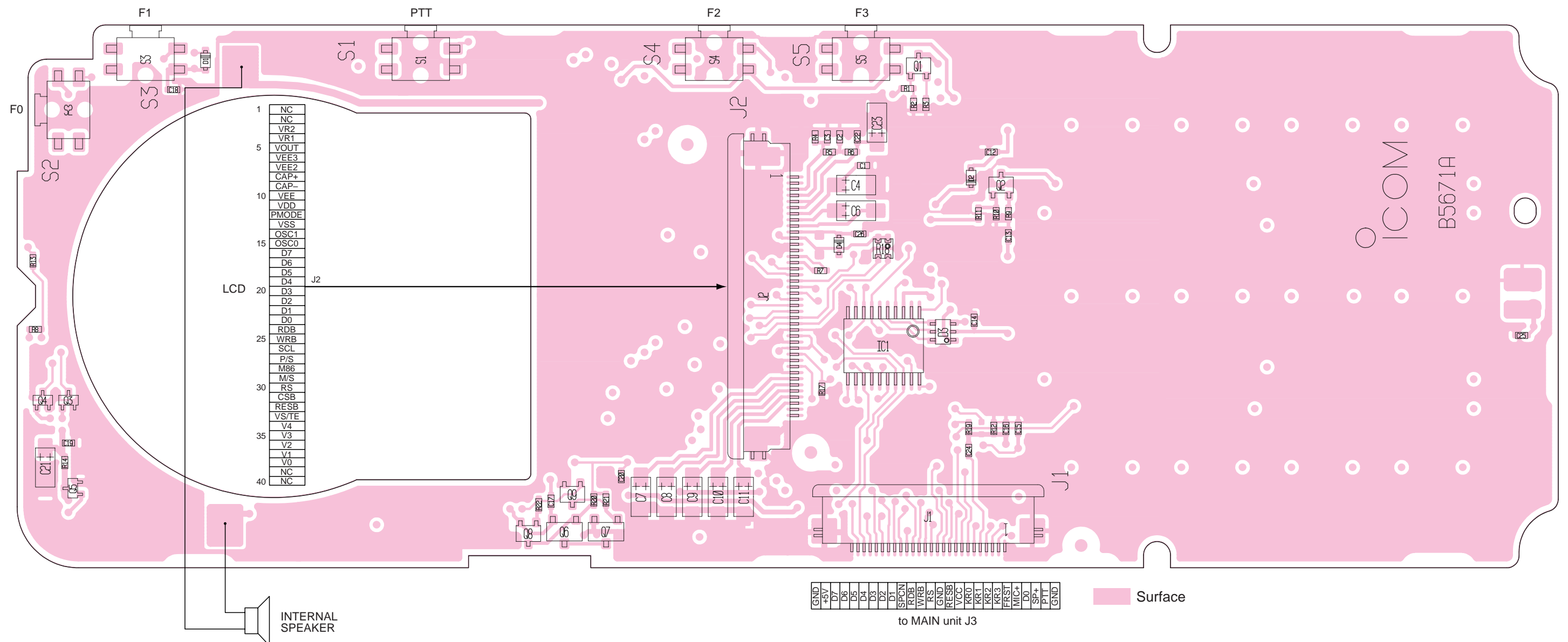
The combination of this page and the next page shows the unit layout in the same configuration as the actual P.C. Board.



FRONT UNIT

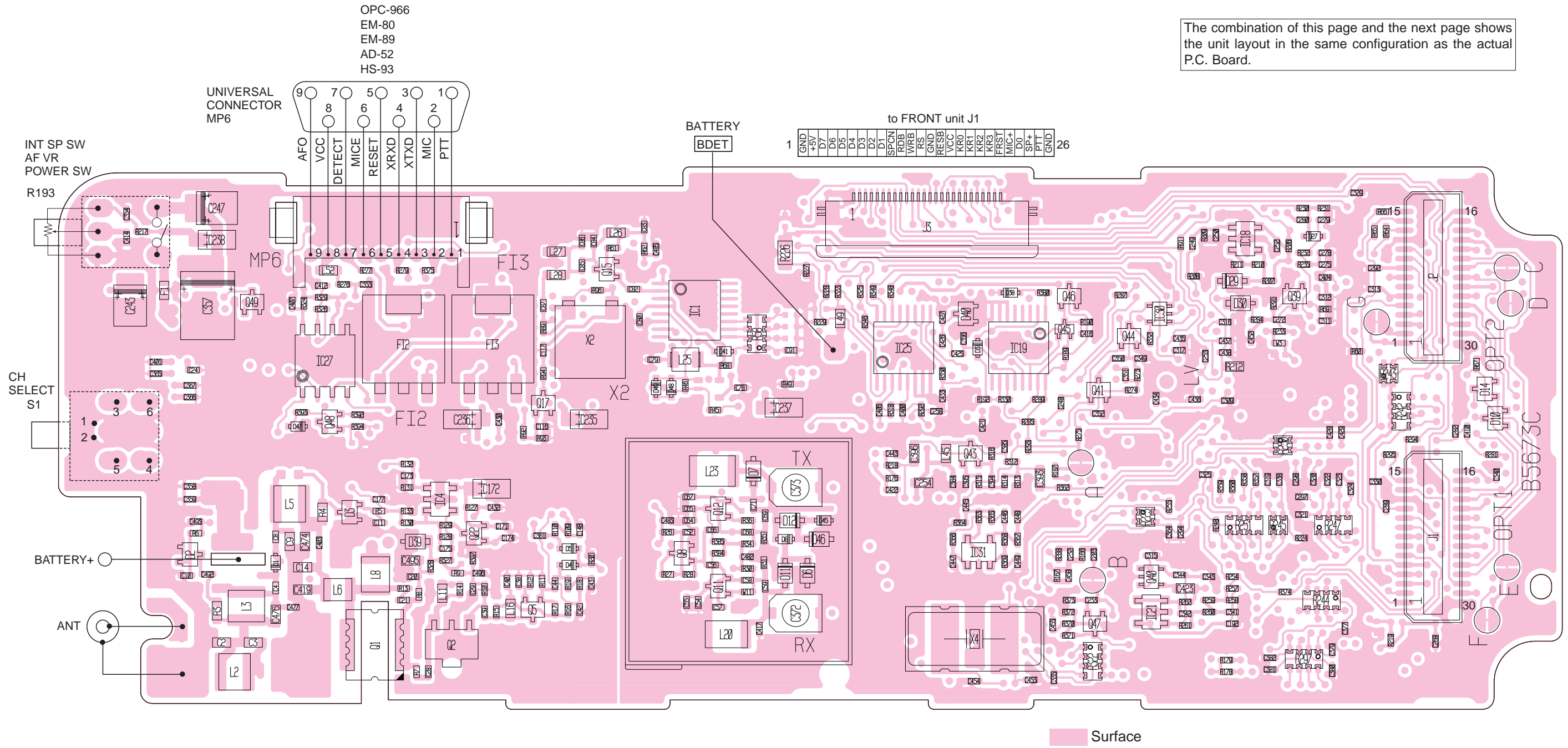
• BOTTOM VIEW

The combination of this page and the previous page shows the unit layout in the same configuration as the actual P.C. Board.



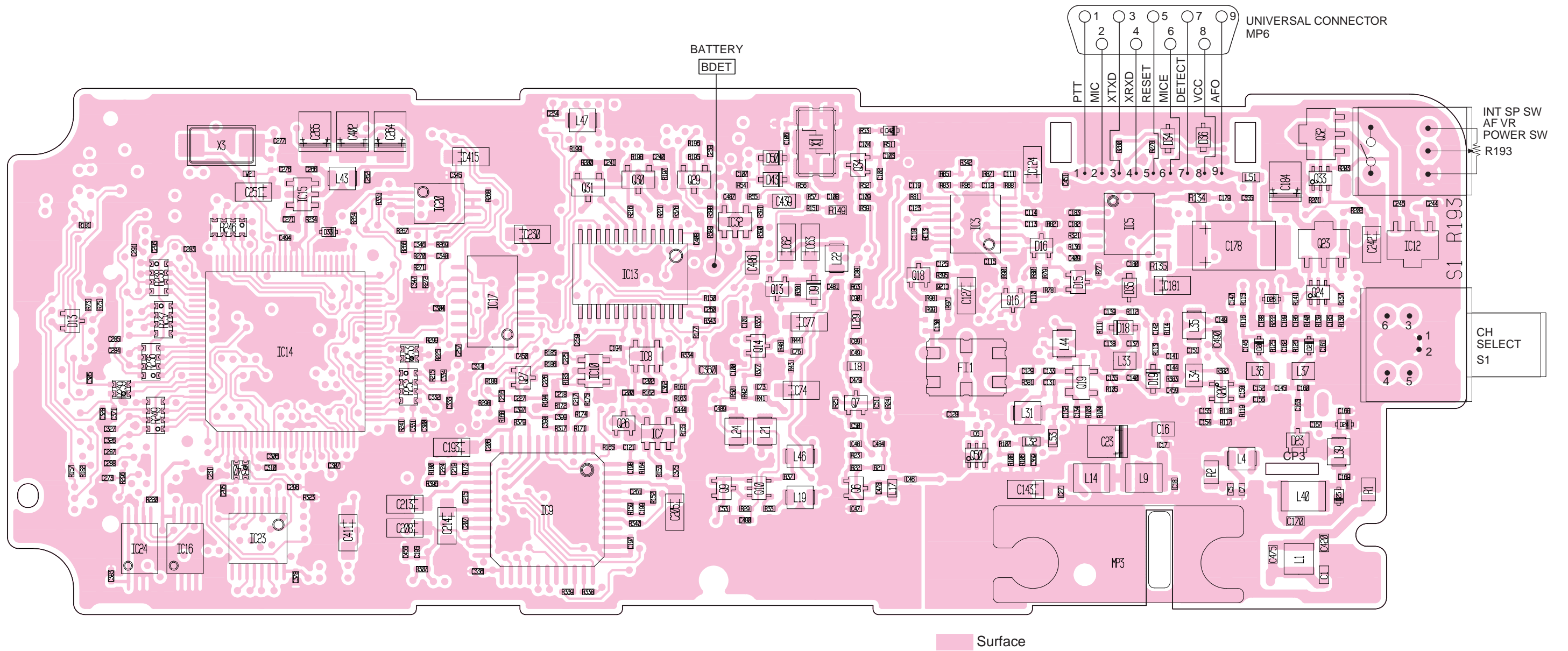
9 - 2 MAIN UNIT

• TOP VIEW

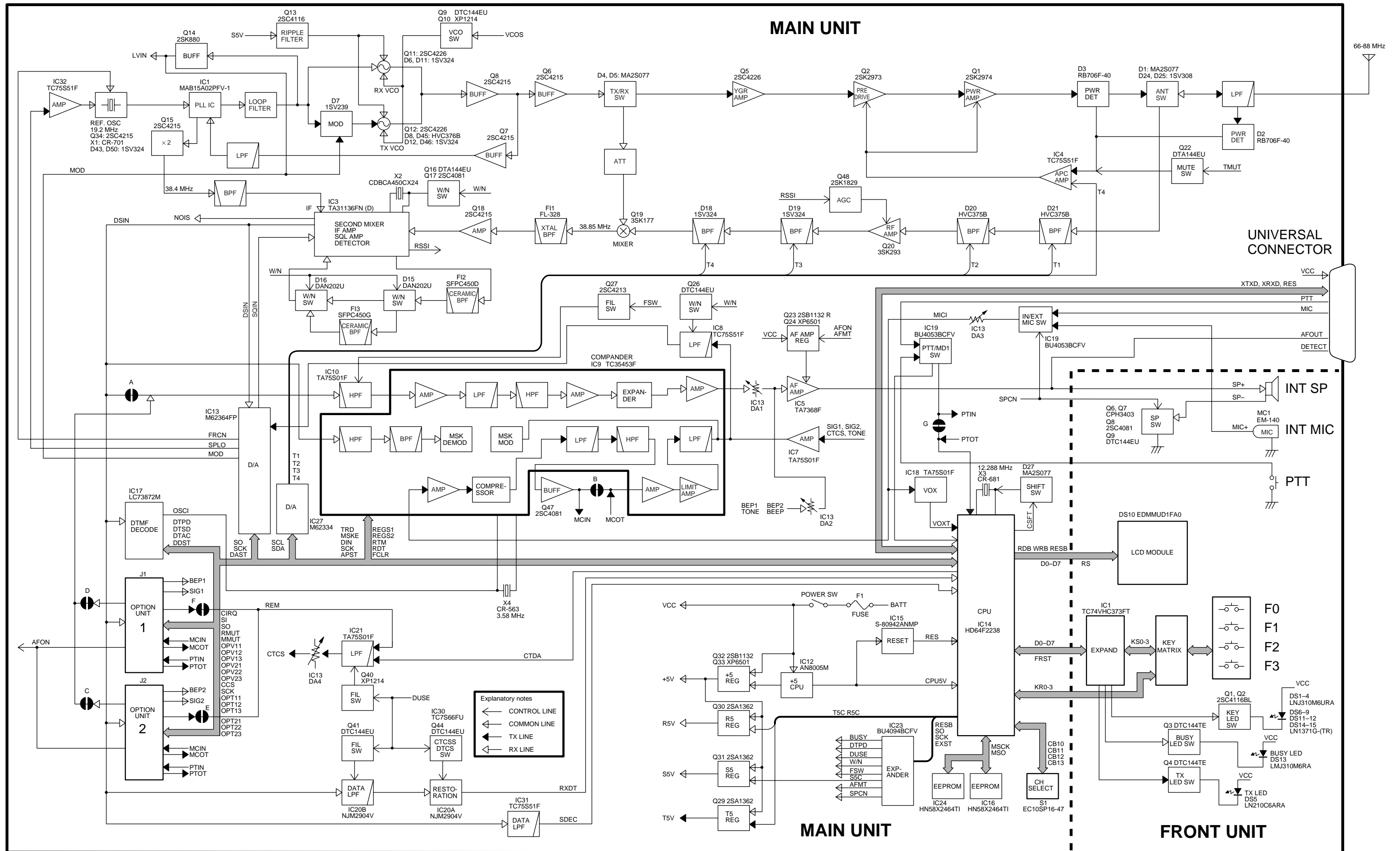


MAIN UNIT
• BOTTOM VIEW

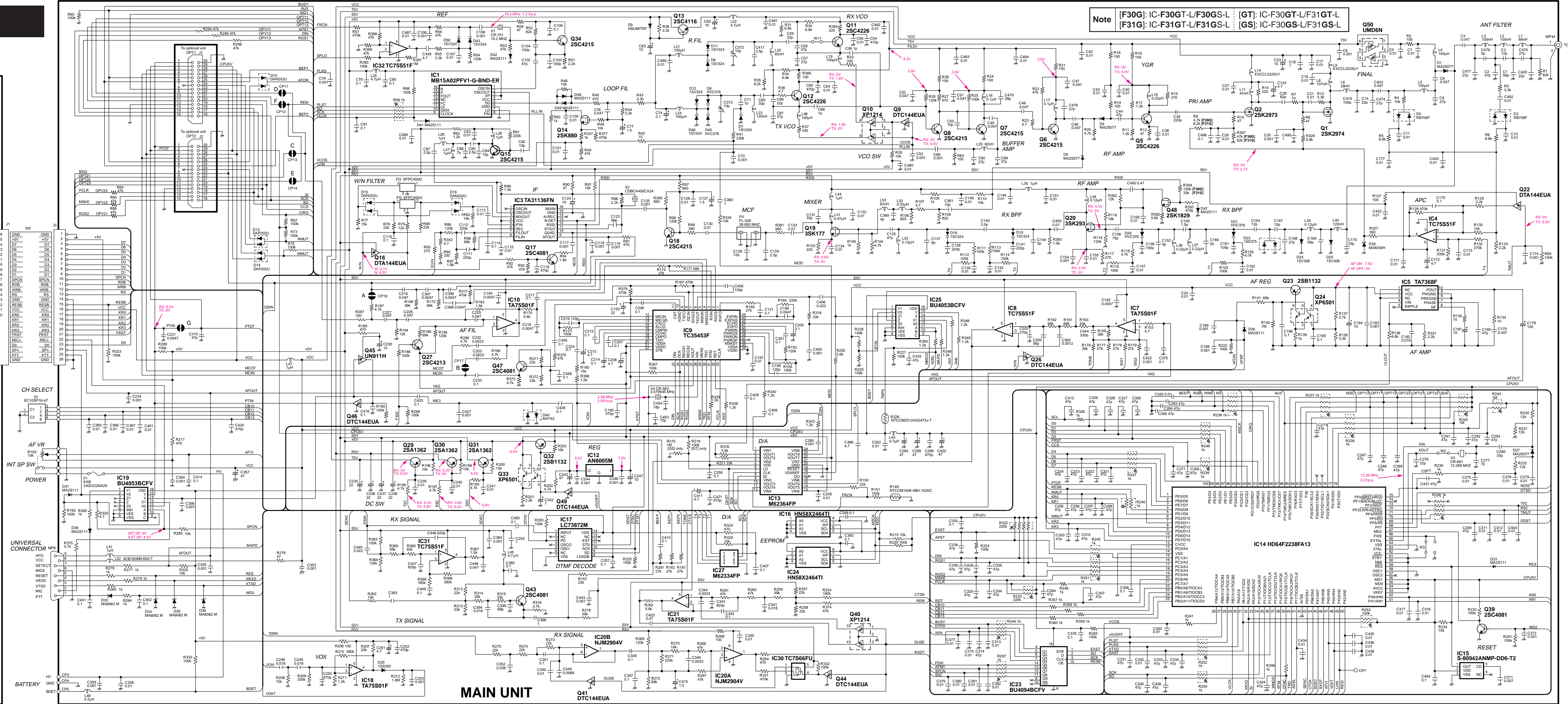
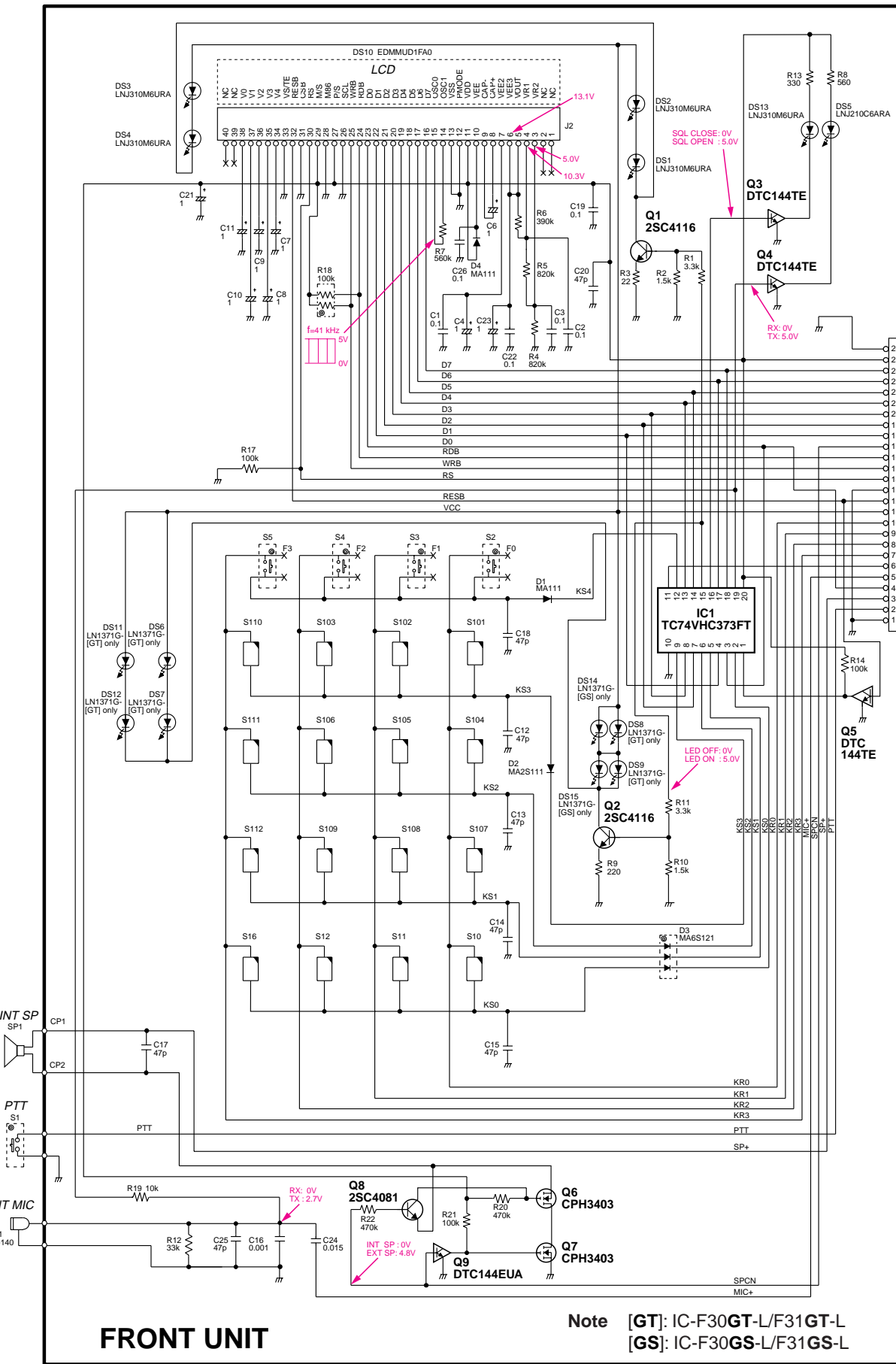
The combination of this page and the previous page shows the unit layout in the same configuration as the actual P.C. Board.



SECTION 10 BLOCK DIAGRAM



SECTION 11 VOLTAGE DIAGRAM



Icom Inc.

1-1-32, Kamiminami, Hirano-ku, Osaka 547-0003, Japan
Phone : 06 6793 5302
Fax : 06 6793 0013
URL : <http://www.icom.co.jp/world/index.html>

Icom America Inc.

<Corporate Headquarters>
2380 116th Avenue N.E., Bellevue, WA 98004, U.S.A.
Phone : (425) 454-8155 Fax : (425) 454-1509
URL : <http://www.icomamerica.com>
<Customer Service>
Phone : (425) 454-7619

Icom Canada

Glenwood Centre #150-6165
Highway 17 Delta, B.C., V4K 5B8, Canada
Phone : (604) 952-4266 Fax : (604) 952-0090
URL : <http://www.icomcanada.com>

Icom (Australia) Pty. Ltd.

A.B.N. 88 006 092 575
290-294 Albert Street, Brunswick, Victoria, 3056, Australia
Phone : 03 9387 0666 Fax : 03 9387 0022
URL : <http://www.icom.net.au>

Icom New Zealand

146A Harris Road, East Tamaki,
Auckland, New Zealand
Phone : 09 274 4062 Fax : 09 274 4708
URL : <http://www.icom.co.nz>

Icom (Europe) GmbH

Communication Equipment
Himmelgeister Str. 100, D-40225 Düsseldorf, Germany
Phone : 0211 346047 Fax : 0211 333639
URL : <http://www.icomeurope.com>

Icom Spain S.L.

Crta. de Gracia a Manresa Km. 14,750
08190 Sant Cugat del Valles Barcelona, SPAIN
Phone : (93) 590 26 70 Fax : (93) 589 04 46
URL : <http://www.icomspain.com>

Icom (UK) Ltd.

Unit 9, Sea St., Herne Bay, Kent, CT6 8LD, U.K.
Phone : 01227 741741 Fax : 01227 741742
URL : <http://www.icomuk.co.uk>

Icom France S.a

Zac de la Plaine, Rue Brindejonc des Moulinais
BP 5804, 31505 Toulouse Cedex, France
Phone : 561 36 03 03 Fax : 561 36 03 00
URL : <http://www.icom-france.com>

Asia Icom Inc.

6F No. 68, Sec. 1 Cheng-Teh Road, Taipei, Taiwan, R.O.C.
Phone : (02) 2559 1899 Fax : (02) 2559 1874

Count on us!

Icom Inc.

1-1-32, Kamiminami, Hirano-ku Osaka 547-0003, Japan

S-13805MZ-C1
© 2001 Icom Inc.